

Enclosed Motor Disconnect Switch

These enclosed switches can be used locally at the motor.



Catalog Number

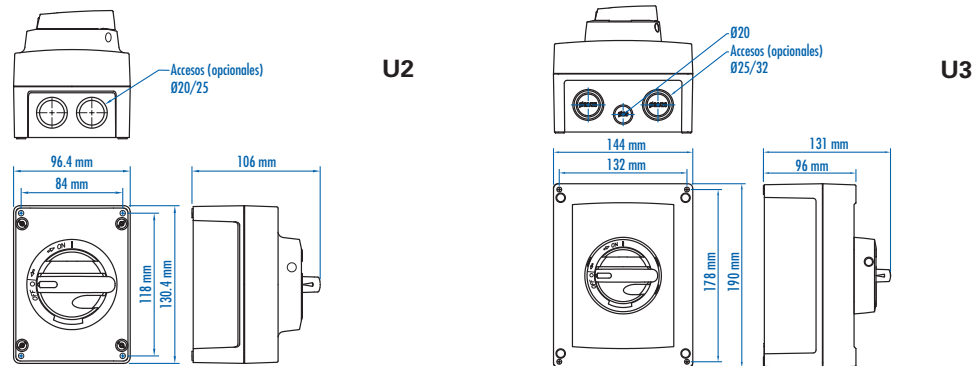
Black Handle	KEM325UL	KEM340UL	KEM360UL	KEM380UL
Yellow/ Red Handle	KEM325ULY/R	KEM340ULY/R	KEM360ULY/R	KEM380ULY/R
No. of Poles	3 (4 pole - KEM425UL Y/R)	3 (4 pole - KEM440UL Y/R)	3 (4 pole - KEM460UL Y/R)	3 (4 pole - KEM480UL Y/R)
General Purpose Current	25A	40A	60A	80A
Maximum Voltage	600V AC	600V AC	600V AC	600V AC
Motor FLA @ 480V AC	17.5A	28A	34A	—
Motor FLA @ 600V AC	11A	18A	27A	47A

Horsepower Rating /HP	1 Phase		3 Phase		1 Phase		3 Phase		1 Phase		3 Phase	
	110-120V AC	1	2	2	3	3	5	3	7.5	3	7.5	7.5
200V AC	2	5	3	7.5	5	10	7.5	15	7.5	15	10	15
208V AC	2	5	3	7.5	5	10	7.5	15	7.5	15	10	15
220-240V AC	3	7.5	5	10	5	10	7.5	15	7.5	15	10	15
265V AC	3	7.5	5	10	5	10	7.5	15	10	15	10	20
277V AC	3	7.5	5	10	7.5	10	10	15	10	15	10	20
380-415V AC	5	10	7.5	15	10	20	15	25	15	25	15	25
440-480V AC	7.5	15	10	20	15	25	20	30	20	30	20	30
550-600V AC	5	10	7.5	15	15	25	25	40	25	40	25	40

Short Circuit Withstand Rating at 600V with Max. Fuse Size/Class:	10kA		10kA		10kA		10kA	
	K5	50A	50A	50A	50A	60A	150A	150A
RK5	50A	50A	50A	50A	60A (80A @ 480V AC)	150A	150A	
RK1	80A	80A	80A	80A	100A	—	—	
J	80A	80A	80A	80A	100A	200A	200A	

Terminal Size Acceptability (Cu Conductors only, 75°C)	14-8AWG	14-8AWG	12-4AWG	4-1/0AWG
Terminal Torque	16 lb. in.	16 lb. in.	16 lb. in.	50 lb. in.
Environmental Rating	NEMA Type 4X	NEMA Type 4X	NEMA Type 4X	NEMA Type 4X
Enclosure Type Used	U2	U3	U3	U3

Dimensions



Weight	0.49kg (1.08 lb.)	0.72kg (1.587 lb.)	0.773kg (1.698 lb.)	1.021kg (2.249 lb.)
--------	-------------------	--------------------	---------------------	---------------------

Suitable Accessories

Auxiliary Contacts	KU1.V, KU2.V	KU1.V, KU2.V	KU1.V, KU2.V	VKA1.V, VKA2.V
--------------------	--------------	--------------	--------------	----------------

*16A model also available, please contact us.

Dimensions (to convert to inches multiply by 0.03937)

Enclosed Motor Disconnect Switch



FUSED



KEM3100L
KEM3100L Y/R
3 (4 pole - KEM4100L Y/R)
100A
600V AC
-
54A

KEM3125L
KEM3125L Y/R
3 (4 pole - KEM4125L Y/R)
125A
600V AC
-
68A

KEM3150L
KEM3150L Y/R
3 (4 pole - KEM4150L Y/R)
150A
600V AC
-
83A

KKVM332, KKVM332CC
KKVM332 Y/R, KKVM332CCY/R
3
30A
600V AC

1 Phase	3 Phase
3	7.5
7.5	15
7.5	15
10	20
10	20
10	20
15	30
20	40
30	50

1 Phase	3 Phase
5	10
10	20
10	20
15	25
15	25
15	30
20	40
30	50
30	60

1 Phase	3 Phase
7.5	10
10	25
10	25
15	30
20	30
25	50
30	60
40	75

Cat. No.	Fuse Type
KKVM 332 (Y/R)	10x38, Midget
KKVM 332CC (Y/R)	Class CC

10kA
150A
150A
-
200A

10kA
150A
150A
-
200A

10kA
150A
150A
-
200A

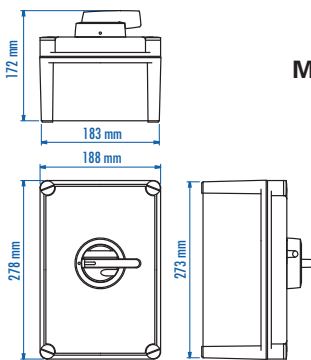
10kA
50A
50A
80A
80A

4-1/0AWG
50 lb. in.
NEMA Type 4X
MF10

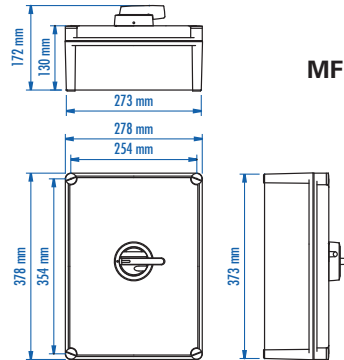
4-1/0AWG
50 lb. in.
NEMA Type 4X
MF10

4-1/0AWG
50 lb. in.
NEMA Type 4X
MF11UL

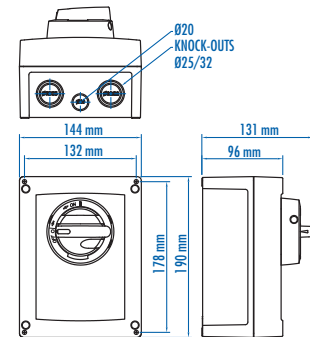
14-8AWG
16 lb. in.
NEMA Type 4X
U3



MF10



MF11UL



1.9051kg (4.2 lb.)

1.9051kg (4.2 lb.)

2.8351kg (6.25 lb.)

0.998kg (2.2 lb.)

VKA1.V, VKA2.V

VKA1.V, VKA2.V

VKA1.V, VKA2.V

KU1.V, KU2.V

Dimensions (to convert to inches multiply by 0.03937)