



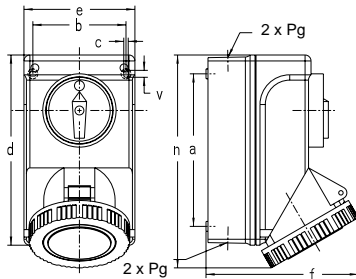
16, 32 Amp
Watertight (IP67)
Drawing D



16, 32 Amp
Splashproof (IP44)
Drawing D

Amps	Poles and Wires	Voltage AC	Position of Ground Contact	NEMA 4X Watertight (IP67)	Clock Splashproof (IP44)
16	2P3W	110	4	AT119304	AT110304
		230	6	AT119306	AT110306
		400	9	AT119309	AT110309
	3P4W	110	4	AT119404	AT110404
		230	9	AT119409	AT110409
		400	6	AT119406	AT110406
		500	7	AT119407	AT110407
	4P5W	110	4	AT119504	AT110504
		230	9	AT119509	AT110509
400		6	AT119	AT110	
32	2P3W	110	4	AT139304	AT130304
		230	6	AT139306	AT130306
		400	9	AT139309	AT130309
	3P4W	110	4	AT139404	AT130404
		230	9	AT139409	AT130409
		400	6	AT139406	AT130406
		500	7	AT139407	AT130407
	4P5W	110	4	AT139504	AT130504
		230	9	AT139509	AT130509
400		6	AT139	AT130	
32*	3P4W	380 50Hz 440 60Hz	3	AT139403	

* 32 Amp. Only for Refrigerated Containers.



Drawing D

Dimensions

Amps	N.A.	Int'l	Poles and Wires	Unit of Measure	Dimensions													
					a	b	c	d	e	f	IP44 f	NEMA 4X IP67 f	IP44 n	NEMA 4X IP67 n	v			
20	16	2P3W	inch	5.00	3.07	0.18	6.54	3.82	4.57	4.72	7.28	7.28	0.28					
				mm	127	78	4.5	166	97	116	120	185	185	7				
20	16	3P4W	inch	5.00	3.07	0.18	6.54	3.82	4.72	4.92	7.28	7.28	0.28					
				mm	127	78	4.5	166	97	120	125	185	185	7				
20	16	4P5W	inch	5.00	3.07	0.18	6.54	3.82	4.92	5.20	7.28	7.28	0.28					
				mm	127	78	4.5	166	97	125	132	185	185	7				
30	32	2P3W	inch	6.06	3.70	0.18	7.60	4.45	5.71	6.06	8.46	8.46	0.28					
				mm	154	94	4.5	193	113	145	154	215	215	7				
30	32	3P4W	inch	6.06	3.70	0.18	7.60	4.45	5.71	6.06	8.46	8.46	0.28					
				mm	154	94	4.5	193	113	145	154	215	215	7				
30	32	4P5W	inch	6.06	3.70	0.18	7.60	4.45	5.83	6.06	8.46	8.46	0.28					
				mm	154	94	4.5	193	113	148	154	215	215	7				



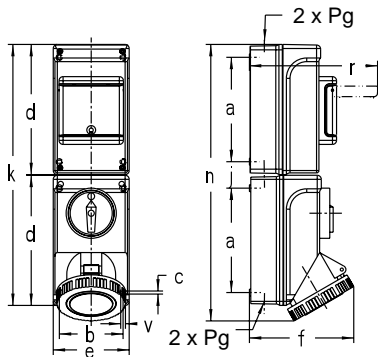
16, 32 Amp
Watertight (IP67)
Drawing E



16, 32 Amp
Splashproof (IP44)
Drawing E

Amps	Poles and Wires	MCB	Voltage AC	Clock Position of Ground Contact	NEMA 4X Watertight (IP67)	Splashproof (IP44)
16	2P3W	1 Pole "C"	110	4	AU119304UD	AU110304UD
			230	6	AU119306UD	AU110306UD
			400	9	AU119309UD	AU110309UD
	3P4W	3 Pole "C"	110	4	AU119404SA	AU110404SA
			230	6	AU119406SA	AU110406SA
			400	9	AU119409SA	AU810409SA
			500	7	AU119407SA	AU110407SA
	4P5W	3 Pole "C"	110	4	AU119504TA	AU110504TA
			230	9	AU119509TA	AU110509TA
400			6	AU119TA	AU110TA	
32	2P3W	1 Pole "C"	110	4	AU139304UD	AU130304UD
			230	6	AU139306UD	AU130306UD
			400	9	AU139309UD	AU130309UD
	3P4W	3 Pole "C"	110	4	AU139404SA	AU130404SA
			230	9	AU139409SA	AU130409SA
			400	6	AU139406SA	AU130406SA
			500	7	AU139407SA	AU130407SA
	4P5W	3 Pole "C"	110	4	AU139504TA	AU130504TA
			230	9	AU139509TA	AU130509TA
400			6	AU139TA	AU130TA	
32*	3P4W	3 Pole "C"	380 50Hz 440 60Hz	3	AU139403SA	

* 32 Amp. Only for Refrigerated Containers.



Drawing E

Dimensions

Amps	Poles and Wires	Unit of Measure	Dimensions													
			a	b	c	d	e	f	IP44	NEMA 4X IP67	i	k	IP44	NEMA 4X IP67	r	v
20	16	2P3W	inch	5.00	3.07	0.18	6.54	3.82	4.57	4.72	1.54	13.11	13.86	13.86	6.97	0.28
			mm	127	78	4.5	166	97	116	120	39	333	352	352	177	7
20	16	3P4W	inch	5.00	3.07	0.18	6.54	3.82	4.72	4.92	1.54	13.11	13.86	13.86	6.97	0.28
			mm	127	78	4.5	166	97	120	125	39	333	352	352	177	7
20	16	4P5W	inch	5.00	3.07	0.18	6.54	3.82	4.92	5.20	1.54	13.11	13.86	13.86	6.97	0.28
			mm	127	78	4.5	166	97	125	132	39	333	352	352	177	7
30	32	2P3W	inch	6.06	3.70	0.18	7.60	4.45	5.71	6.06	1.54	15.24	16.10	16.10	7.52	0.28
			mm	154	94	4.5	193	113	145	154	39	387	409	409	191	7
30	32	3P4W	inch	6.06	3.70	0.18	7.60	4.45	5.71	6.06	1.54	15.24	16.10	16.10	7.52	0.28
			mm	154	94	4.5	193	113	145	154	39	387	409	409	191	7
30	32	4P5W	inch	6.06	3.70	0.18	7.60	4.45	5.83	6.06	1.54	15.24	16.10	16.10	7.52	0.28
			mm	154	94	4.5	193	113	148	154	39	387	409	409	191	7