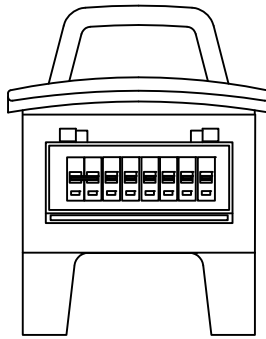


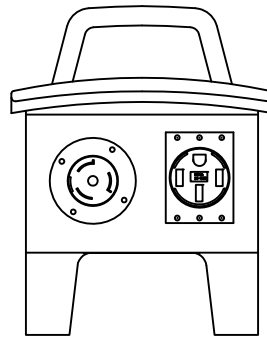
REVISIONS				
ZONE	REV	DESCRIPTION	DATE	APPROVED

PROTECTION:

- (1) 50A 2P MCB
- (6) 20A 1P MCB



FRONT



BACK

INPUT:

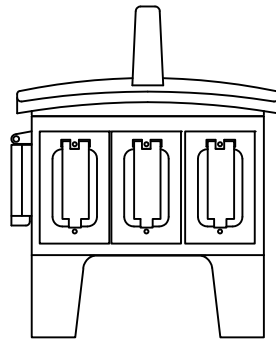
CS6375 2P+N+G

OUTPUT:

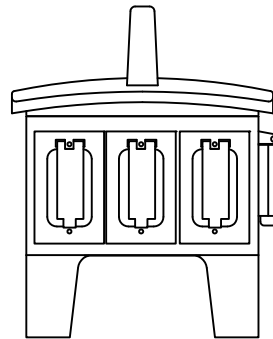
(1) 50A 14-50R
125/250V 2P+N+G

OUTPUT:

(3) 20A DUPLEX



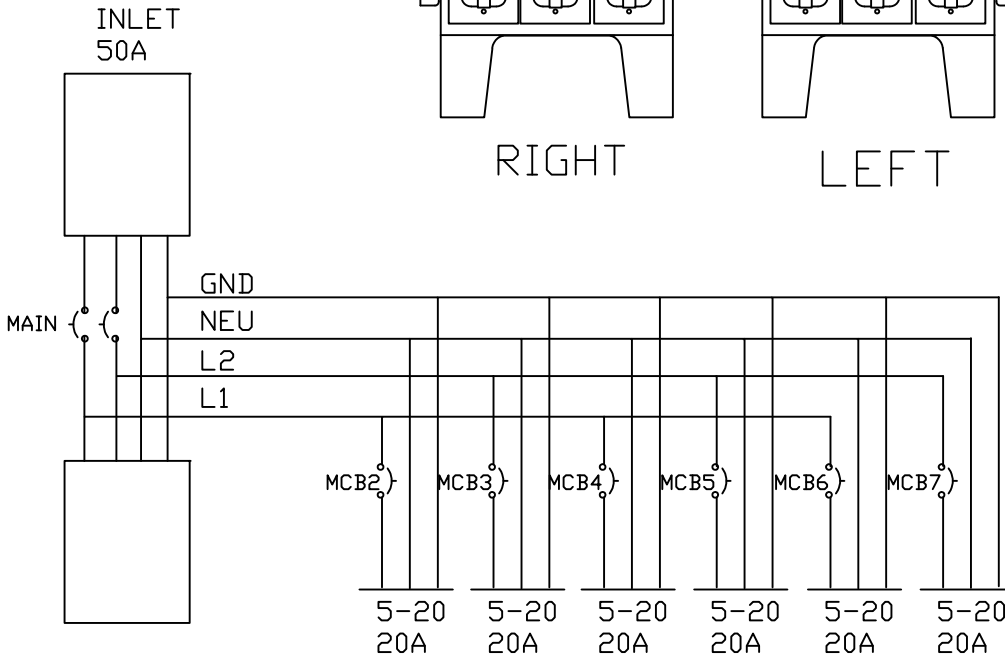
RIGHT



LEFT

OUTPUT:

(3) 20A DUPLEX



OUTLET 50A
14-50R

WALTHER ELECTRIC	NAME: HEB201X2U		
	THIS DRAWING IS THE PROPERTY OF WALTHER ELECTRIC CORP. AND MUST NOT BE MADE PUBLIC OR COPIED. ALL RIGHTS OF DESIGN AND/OR INVENTION ARE RESERVED.		
SIZE	DRAW BY: JC	DWG NO.	REV
SCALE	DATE: 1-28-2015	SHEET	