



16, 32, 63 Amp  
Watertight (IP67)  
Drawing A  
(See Drawing on Page 55)



16, 32, 63 Amp  
Splashproof (IP44)  
Drawing A  
(See Drawing on Page 55)

Amps	Poles and Wires	Voltage AC	Clock Position of Ground Contact	NEMA 4X Watertight (IP67)	Splashproof (IP44)
16	2P3W	110	4	AE119304	AE110304
		230	6	AE119306	AE110306
		400	9	AE119309	AE110309
	3P4W	110	4	AE119404	AE110404
		230	9	AE119409	AE110409
		400	6	AE119406	AE110406
		500	7	AE119407	AE110407
		400	6	AE119	AE110
	4P5W	110	4	AE119504	AE110504
230		9	AE119509	AE110509	
400		6	AE119	AE110	
32	2P3W	110	4	AE139304	AE130304
		230	6	AE139306	AE130306
		400	9	AE139309	AE130309
	3P4W	110	4	AE139404	AE130404
		230	9	AE139409	AE130409
		400	6	AE139406	AE130406
		500	7	AE139407	AE130407
	4P5W	110	4	AE139504	AE130504
		230	9	AE139509	AE130509
400		6	AE139	AE130	
32*	3P4W	380 50Hz 440 60Hz	3	AE139403	
63	2P3W	110	4	AE169304	AE160304
		230	6	AE169306	AE160306
		400	9	AE169309	AE160309
	3P4W	110	4	AE169404	AE160404
		230	9	AE169409	AE160409
		400	6	AE169406	AE160406
		500	7	AE169407	AE160407
	4P5W	110	4	AE169504	AE160504
		230	9	AE169509	AE160509
		400	6	AE169	AE160

\* 32 Amp. Only for Refrigerated Containers.



125 Amp  
Watertight (IP67)  
Drawing B  
(See Drawing on Page 55)

125	2P3W	110	4	A0179304	
		230	6	A0179306	
		400	9	A0179309	
	3P4W	110	4	A0179404	
		230	9	A0179409	
		400	6	A0179406	
		500	7	A0179407	
	4P5W	110	4	A0179504	
		230	9	A0179509	
		400	6	A0179	



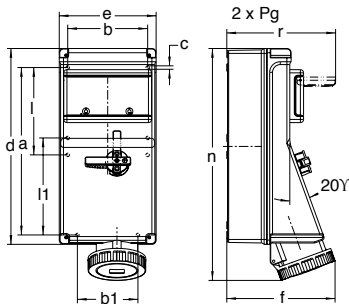
16, 32, 63 Amp  
Watertight (IP67)  
Drawing C



16, 32, 63 Amp  
Splashproof (IP44)  
Drawing C

Amps	Poles and Wires	MCB	Voltage AC	Clock Position of Ground Contact	NEMA 4X Watertight (IP67)	Splashproof (IP44)
16	2P3W	1 Pole "C"	110	4	AL119304UD	AL110304UD
			230	6	AL119306UD	AL110306UD
			400	9	AL119309UD	AL110309UD
	3P4W	3 Pole "C"	110	4	AL119404SA	AL110404SA
			230	9	AL119409SA	AL110409SA
			400	6	AL119406SA	AL110406SA
			500	7	AL119407SA	AL110407SA
			110	4	AL119504TA	AL110504TA
	4P5W	3 Pole "C"	230	9	AL119509TA	AL110509TA
400			6	AL119TA	AL110TA	
110			4	AL139304UD	AL130304UD	
32	2P3W	1 Pole "C"	230	6	AL139306UD	AL130306UD
			400	9	AL139309UD	AL130309UD
			110	4	AL139404SA	AL130404SA
	3P4W	3 Pole "C"	230	9	AL139409SA	AL130409SA
			400	6	AL139406SA	AL130406SA
			500	7	AL139407SA	AL130407SA
			110	4	AL139504TA	AL130504TA
			230	9	AL139509TA	AL130509TA
	4P5W	3 Pole "C"	400	6	AL139TA	AL130TA
380 50Hz 440 60Hz			3	AL139403SA		
32*	2P3W	1 Pole "C"	110	4	AL169304UD	AL160304UD
			230	6	AL169306UD	AL160306UD
			400	9	AL169309UD	AL160309UD
	3P4W	3 Pole "C"	110	4	AL169404SA	AL160404SA
			230	9	AL169409SA	AL160409SA
			400	6	AL169406SA	AL160406SA
			500	7	AL169407SA	AL160407SA
			110	4	AL169504TA	AL160504TA
	4P5W	3 Pole "C"	230	9	AL169509TA	AL160509TA
400			6	AL169TA	AL160TA	

\* 32 Amp. Only for Refrigerated Containers.



Drawing C

Dimensions

Amps	N.A.	Int'l	Poles and Wires	Unit of Measure	Dimensions													
					a	b	b1	c	d	e	f	IP44	NEMA 4X IP67	l	l1	IP44	NEMA 4X IP67	r
20	16	2P3W	inch	12.44	5.94	4.49	0.26	14.57	7.20	7.17	7.60	6.50	7.20	15.79	15.91	8.11		
			mm	316	151	114	6.5	370	183	182	193	165	183	401	404	206		
20	16	3P4W	inch	12.44	5.94	4.49	0.26	14.57	7.20	7.36	7.64	6.50	7.20	15.91	15.94	8.11		
			mm	316	151	114	6.5	370	183	187	194	165	183	404	405	206		
20	16	4P5W	inch	12.44	5.94	4.49	0.26	14.57	7.20	7.24	7.72	6.50	7.20	15.94	16.14	8.11		
			mm	316	151	114	6.5	370	183	184	196	165	183	405	410	206		
30	32	2P3W	inch	12.44	5.94	4.49	0.26	14.57	7.20	7.36	7.91	6.50	7.20	16.34	16.46	8.11		
			mm	316	151	114	6.5	370	183	187	201	165	183	415	418	206		
30	32	3P4W	inch	12.44	5.94	4.49	0.26	14.57	7.20	7.36	7.91	6.50	7.20	16.34	16.46	8.11		
			mm	316	151	114	6.5	370	183	187	201	165	183	415	418	206		
30	32	4P5W	inch	12.44	5.94	4.49	0.26	14.57	7.20	7.44	7.91	6.50	7.20	16.42	16.46	8.11		
			mm	316	151	114	6.5	370	183	189	201	165	183	417	418	206		
60	63	2P3W	inch	12.44	5.94	4.49	0.26	14.57	7.20	7.72	8.23	6.50	7.20	17.01	17.44	8.11		
			mm	316	151	114	6.5	370	183	196	209	165	183	432	443	206		
60	63	3P4W	inch	12.44	5.94	4.49	0.26	14.57	7.20	7.72	8.23	6.50	7.20	17.01	17.44	8.11		
			mm	316	151	114	6.5	370	183	196	209	165	183	432	443	206		
60	63	4P5W	inch	12.44	5.94	4.49	0.26	14.57	7.20	7.72	8.23	6.50	7.20	17.01	17.44	8.11		
			mm	316	151	114	6.5	370	183	196	209	165	183	432	443	206		



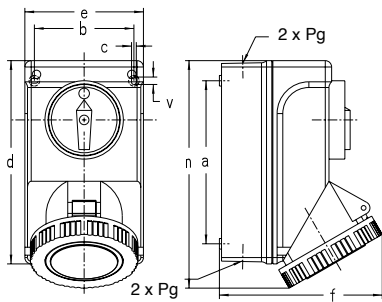
16, 32 Amp  
Watertight (IP67)  
Drawing D



16, 32 Amp  
Splashproof (IP44)  
Drawing D

Amps	Poles and Wires	Voltage AC	Position of Ground Contact	NEMA 4X Watertight (IP67)	Clock Splashproof (IP44)
16	2P3W	110	4	AT119304	AT110304
		230	6	AT119306	AT110306
		400	9	AT119309	AT110309
	3P4W	110	4	AT119404	AT110404
		230	9	AT119409	AT110409
		400	6	AT119406	AT110406
		500	7	AT119407	AT110407
	4P5W	110	4	AT119504	AT110504
		230	9	AT119509	AT110509
		400	6	AT119	AT110
32	2P3W	110	4	AT139304	AT130304
		230	6	AT139306	AT130306
		400	9	AT139309	AT130309
	3P4W	110	4	AT139404	AT130404
		230	9	AT139409	AT130409
		400	6	AT139406	AT130406
		500	7	AT139407	AT130407
	4P5W	110	4	AT139504	AT130504
		230	9	AT139509	AT130509
		400	6	AT139	AT130
32*	3P4W	380 50Hz 440 60Hz	3	AT139403	

\* 32 Amp. Only for Refrigerated Containers.



Drawing D

Dimensions

Amps	Poles and Wires	Unit of Measure	Dimensions										
			a	b	c	d	e	f	f	n	n	v	
20	16	2P3W	inch	5.00	3.07	0.18	6.54	3.82	4.57	4.72	7.28	7.28	0.28
			mm	127	78	4.5	166	97	116	120	185	185	7
20	16	3P4W	inch	5.00	3.07	0.18	6.54	3.82	4.72	4.92	7.28	7.28	0.28
			mm	127	78	4.5	166	97	120	125	185	185	7
20	16	4P5W	inch	5.00	3.07	0.18	6.54	3.82	4.92	5.20	7.28	7.28	0.28
			mm	127	78	4.5	166	97	125	132	185	185	7
30	32	2P3W	inch	6.06	3.70	0.18	7.60	4.45	5.71	6.06	8.46	8.46	0.28
			mm	154	94	4.5	193	113	145	154	215	215	7
30	32	3P4W	inch	6.06	3.70	0.18	7.60	4.45	5.71	6.06	8.46	8.46	0.28
			mm	154	94	4.5	193	113	145	154	215	215	7
30	32	4P5W	inch	6.06	3.70	0.18	7.60	4.45	5.83	6.06	8.46	8.46	0.28
			mm	154	94	4.5	193	113	148	154	215	215	7



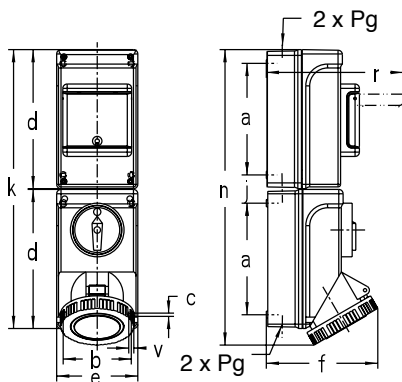
16, 32 Amp  
Watertight (IP67)  
Drawing E



16, 32 Amp  
Splashproof (IP44)  
Drawing E

Amps	Poles and Wires	MCB	Voltage AC	Clock Position of Ground Contact	NEMA 4X Watertight (IP67)	Splashproof (IP44)	
16	2P3W	1 Pole "C"	110	4	AU119304UD	AU110304UD	
			230	6	AU119306UD	AU110306UD	
			400	9	AU119309UD	AU110309UD	
	3P4W	3 Pole "C"	110	4	AU119404SA	AU110404SA	
			230	6	AU119406SA	AU110406SA	
			400	9	AU119409SA	AU810409SA	
			500	7	AU119407SA	AU110407SA	
	4P5W	3 Pole "C"	110	4	AU119504TA	AU110504TA	
			230	9	AU119509TA	AU110509TA	
400			6	AU119TA	AU110TA		
32	2P3W	1 Pole "C"	110	4	AU139304UD	AU130304UD	
			230	6	AU139306UD	AU130306UD	
			400	9	AU139309UD	AU130309UD	
	3P4W	3 Pole "C"	110	4	AU139404SA	AU130404SA	
			230	9	AU139409SA	AU130409SA	
			400	6	AU139406SA	AU130406SA	
			500	7	AU139407SA	AU130407SA	
	4P5W	3 Pole "C"	110	4	AU139504TA	AU130504TA	
			230	9	AU139509TA	AU130509TA	
			400	6	AU139TA	AU130TA	
	32*	3P4W	3 Pole "C"	380 50Hz 440 60Hz	3	AU139403SA	

\* 32 Amp. Only for Refrigerated Containers.



Drawing E

Dimensions

Amps	Poles and Wires	Unit of Measure	Dimensions															
			a	b	c	d	e	f	g	h	i	j	k	l	m	n	o	
20	16	2P3W	inch	5.00	3.07	0.18	6.54	3.82	4.57	4.72	1.54	13.11	13.86	13.86	6.97	0.28		
			mm	127	78	4.5	166	97	116	120	39	333	352	352	177	7		
20	16	3P4W	inch	5.00	3.07	0.18	6.54	3.82	4.72	4.92	1.54	13.11	13.86	13.86	6.97	0.28		
			mm	127	78	4.5	166	97	120	125	39	333	352	352	177	7		
20	16	4P5W	inch	5.00	3.07	0.18	6.54	3.82	4.92	5.20	1.54	13.11	13.86	13.86	6.97	0.28		
			mm	127	78	4.5	166	97	125	132	39	333	352	352	177	7		
30	32	2P3W	inch	6.06	3.70	0.18	7.60	4.45	5.71	6.06	1.54	15.24	16.10	16.10	7.52	0.28		
			mm	154	94	4.5	193	113	145	154	39	387	409	409	191	7		
30	32	3P4W	inch	6.06	3.70	0.18	7.60	4.45	5.71	6.06	1.54	15.24	16.10	16.10	7.52	0.28		
			mm	154	94	4.5	193	113	145	154	39	387	409	409	191	7		
30	32	4P5W	inch	6.06	3.70	0.18	7.60	4.45	5.83	6.06	1.54	15.24	16.10	16.10	7.52	0.28		
			mm	154	94	4.5	193	113	148	154	39	387	409	409	191	7		



16, 32, 63, 125 Amp  
Watertight (IP67)  
Drawing B  
(See Drawing on Page 49)



16, 32, 63, 125 Amp  
Splashproof (IP44)  
Drawing B  
(See Drawing on Page 49)

Amps	Poles and Wires	Voltage AC	Clock Position of Ground Contact	NEMA 4X Watertight (IP67)	Splashproof (IP44)
16	2P3W	110	4	AJ119304SH	AJ110304SH
		230	6	AJ119306SH	AJ110306SH
		400	9	AJ119309SH	AJ110309SH
	3P4W	110	4	AJ119404SH	AJ110404SH
		230	9	AJ119409SH	AJ110409SH
		400	6	AJ119406SH	AJ110406SH
	4P5W	110	4	AJ119504SH	AJ110504SH
		230	9	AJ119509SH	AJ110509SH
		400	6	AJ1195SH	AJ1105SH
32	2P3W	110	4	AJ139304SH	AJ130304SH
		230	6	AJ139306SH	AJ130306SH
		400	9	AJ139309SH	AJ130309SH
	3P4W	110	4	AJ139404SH	AJ130404SH
		230	9	AJ139409SH	AJ130409SH
		400	6	AJ139406SH	AJ130406SH
	4P5W	110	4	AJ139504SH	AJ130504SH
		230	9	AJ139509SH	AJ130509SH
		400	6	AJ1395SH	AJ1305SH
32*	3P4W	380 50Hz 440 60Hz	3	AJ139403SH	
63	2P3W	110	4	AJ169304SH	AJ160304SH
		230	6	AJ169306SH	AJ160306SH
		400	9	AJ169309SH	AJ160309SH
	3P4W	110	4	AJ169404SH	AJ160404SH
		230	9	AJ169409SH	AJ160409SH
		400	6	AJ169406SH	AJ160406SH
	4P5W	110	4	AJ169504SH	AJ160504SH
		230	9	AJ169509SH	AJ160509SH
		400	6	AJ1695SH	AJ1605SH
125	2P3W	110	4	A0179304SH	
		230	6	A0179306SH	
		400	9	A0179309SH	
	3P4W	110	4	A0179404SH	
		230	9	A0179409SH	
		400	6	A0179406SH	
	4P5W	110	4	A0179504SH	
		230	9	A0179509SH	
		400	6	A01795SH	

\* 32 Amp. Only for Refrigerated Containers.