



20, 30, 60 Amp
NEMA 4X Watertight (IP67)
Drawing A
(See Drawing on Page 55)



20, 30, 60 Amp
Splashproof (IP44)
Drawing A
(See Drawing on Page 55)

Amps	Poles and Wires	Voltage AC	Clock Position of Ground Contact	Horsepower Ratings	NEMA 4X Watertight (IP67)	Splashproof (IP44)	
20	2P3W	120	4	0.75	AE119316	AE110316	
		240	6	2	AE119318	AE110318	
		480	7	4	AE119319	AE110319	
	3P4W	120/240	12	.75 @ 120V 2 @ 240V	AE119424	AE110424	
		3Ø240	9	5	AE119421	AE110421	
		3Ø480	7	10	AE119419	AE110419	
		3Ø600	5	14	AE119417	AE110417	
		3ØY120/208	9	5	AE119521	AE110521	
		3ØY277/480	7	10	AE119519	AE110519	
	4P5W	3ØY347/600	5	14	AE119517	AE110517	
2P3W		120	4	1.5	AE139316	AE130316	
		240	6	3.5	AE139318	AE130318	
	480	7	6	AE139319	AE130319		
30	3P4W	120/240	12	1.5 @ 120 3.5 @ 240	AE139424	AE130424	
		3Ø240	9	7.5	AE139421	AE130421	
		3Ø480	7	15	AE139419	AE130419	
	3Ø600	5	20	AE139417	AE130417		
	4P5W	3ØY120/208	9	7.5	AE139521	AE130521	
		3ØY277/480	7	15	AE139519	AE130519	
3ØY347/600		5	20	AE139517	AE130517		
32*	3P4W	380 50Hz 440 60Hz	3	12	AE139415		
60	2P3W	120	4	3.5	AE169316	AE160316	
		240	6	7.5	AE169318	AE160318	
		480	7	13.5	AE169319	AE160319	
	3P4W	120/240	12	3.5 @ 120 7.5 @ 240	AE169424	AE160424	
		3Ø240	9	15	AE169421	AE160421	
		3Ø480	7	28	AE169419	AE160419	
		3Ø600	5	35	AE169417	AE160417	
		4P5W	3ØY120/208	9	15	AE169521	AE160521
			3ØY277/480	7	28	AE169519	AE160419
	3ØY347/600		5	35	AE169517	AE160517	

* 32 Amp. Only for Refrigerated Containers.



100 Amp
NEMA 4X Watertight (IP67)
Drawing B
(See Drawing on Page 55)

100	2P3W	120	4	7.5	A0189316		
		240	6	14	A0189318		
		480	7	28	A0189319		
	3P4W	120/240	12	7.5 @ 120 14 @ 240	A0189424		
		3Ø240	9	30	A0189421		
		3Ø480	7	60	A0189419		
		3Ø600	5	75	A0189417		
		4P5W	3ØY120/208	9	30	A0189521	
			3ØY277/480	7	60	A0189519	
	3ØY347/600		5	75	A0189517		



20, 30, 60 Amp
NEMA 4X Watertight (IP67)
Drawing C



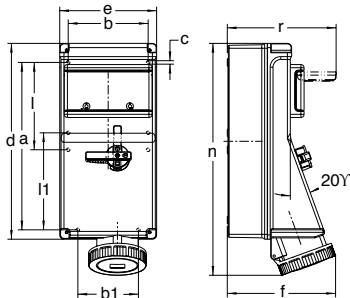
20, 30, 60 Amp
Splashproof (IP44)
Drawing C

Amps	Poles and Wires	MCB	Voltage AC	Clock Position of Ground Contact	Horsepower Ratings	NEMA 4X Watertight (IP67)	Splashproof (IP44)
20	2P3W	1 Pole "C"	120	4	0.75	AL119316UD	AL110316UD
			240	6	2	AL119318UD	AL110318UD
			480	7	4	AL119319UD	AL110319UD
	3P4W	3 Pole "C"	120/240	12	.75 @ 120V 2 @ 240V	AL119424SA	AL110424SA
			3Ø240	9	5	AL119421SA	AL110421SA
			3Ø480	7	10	AL119419SA	AL110419SA
			3Ø600	5	14	AL119417SA	AL110417SA
	4P5W	3 Pole "C"	3ØY120/208	9	5	AL119521TA	AL110521TA
			3ØY277/480	7	10	AL119519TA	AL110519TA
3ØY347/600			5	14	AL119517TA	AL110517TA	
30	2P3W	1 Pole "C"	120	4	1.5	AL139316UD	AL130316UD
			240	6	3.5	AL139318UD	AL130318UD
			480	7	6	AL139319UD	AL130319UD
	3P4W	3 Pole "C"	120/240	12	1.5 @ 120 3.5 @ 240	AL139424SA	AL130424SA
			3Ø240	9	7.5	AL139421SA	AL130421SA
			3Ø480	7	15	AL139419SA	AL130419SA
			3Ø600	5	20	AL139417SA	AL130417SA
	4P5W	3 Pole "C"	3ØY120/208	9	7.5	AL139521TA	AL130521TA
			3ØY277/480	7	15	AL139519TA	AL130519TA
3ØY347/600			5	20	AL139517TA	AL130517TA	
32*	3P4W	3 Pole "C"	380 50Hz 440 60Hz	3	12	AL139415SA	
60	2P3W	1 Pole "C"	120	4	3.5	AL169316UD	AL160316UD
			240	6	7.5	AL169318UD	AL160318UD
			480	7	13.5	AL169319UD	AL160319UD
	3P4W	3 Pole "C"	120/240	12	3.5 @ 120 7.5 @ 240	AL169424SA	AL160424SA
			3Ø240	9	15	AL169421SA	AL160421SA
			3Ø480	7	28	AL169419SA	AL160419SA
			3Ø600	5	35	AL169417SA	AL160417SA
	4P5W	3 Pole "C"	3ØY120/208	9	15	AL169521TA	AL160521TA
			3ØY277/480	7	28	AL169519TA	AL160419TA
3ØY347/600			5	35	AL169517TA	AL160517TA	

* 32 Amp. Only for Refrigerated Containers.

Dimensions

Amps	Poles and Wires	Unit of Measure	Dimensions													
			a	b	b1	c	d	e	IP44 f	NEMA 4X IP67 f	l	l1	IP44 n	NEMA 4X IP67 n	r	
20	16	2P3W	inch	12.44	5.94	4.49	0.26	14.57	7.20	7.17	7.60	6.50	7.20	15.79	15.91	8.11
			mm	316	151	114	6.5	370	183	182	193	165	183	401	404	206
20	16	3P4W	inch	12.44	5.94	4.49	0.26	14.57	7.20	7.36	7.64	6.50	7.20	15.91	15.94	8.11
			mm	316	151	114	6.5	370	183	187	194	165	183	404	405	206
20	16	4P5W	inch	12.44	5.94	4.49	0.26	14.57	7.20	7.24	7.72	6.50	7.20	15.94	16.14	8.11
			mm	316	151	114	6.5	370	183	184	196	165	183	405	410	206
30	32	2P3W	inch	12.44	5.94	4.49	0.26	14.57	7.20	7.36	7.91	6.50	7.20	16.34	16.46	8.11
			mm	316	151	114	6.5	370	183	187	201	165	183	415	418	206
30	32	3P4W	inch	12.44	5.94	4.49	0.26	14.57	7.20	7.36	7.91	6.50	7.20	16.34	16.46	8.11
			mm	316	151	114	6.5	370	183	187	201	165	183	415	418	206
30	32	4P5W	inch	12.44	5.94	4.49	0.26	14.57	7.20	7.44	7.91	6.50	7.20	16.42	16.46	8.11
			mm	316	151	114	6.5	370	183	189	201	165	183	417	418	206
60	63	2P3W	inch	12.44	5.94	4.49	0.26	14.57	7.20	7.72	8.23	6.50	7.20	17.01	17.44	8.11
			mm	316	151	114	6.5	370	183	196	209	165	183	432	443	206
60	63	3P4W	inch	12.44	5.94	4.49	0.26	14.57	7.20	7.72	8.23	6.50	7.20	17.01	17.44	8.11
			mm	316	151	114	6.5	370	183	196	209	165	183	432	443	206
60	63	4P5W	inch	12.44	5.94	4.49	0.26	14.57	7.20	7.72	8.23	6.50	7.20	17.01	17.44	8.11
			mm	316	151	114	6.5	370	183	196	209	165	183	432	443	206



Drawing C



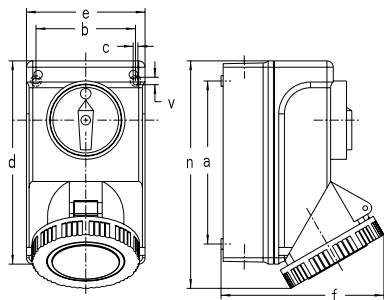
20, 30 Amp
NEMA 4X Watertight (IP67)
Drawing D



20, 30 Amp
Splashproof (IP44)
Drawing D

Amps	Poles and Wires	Voltage AC	Clock Position of Ground Contact	Horsepower Ratings	NEMA 4X Watertight (IP67)	Splashproof (IP44)	
20	2P3W	120	4	0.75	AT119316	AT110316	
		240	6	2	AT119318	AT110318	
		480	7	4	AT119319	AT110319	
	3P4W	120/240	12	.75 @ 120V 2 @ 240V	AT119424	AT110424	
		3Ø240	9	5	AT119421	AT110421	
		3Ø480	7	10	AT119419	AT110419	
		3Ø600	5	14	AT119417	AT110417	
		4P5W	3ØY120/208	9	5	AT119521	AT110521
			3ØY277/480	7	10	AT119519	AT110519
3ØY347/600	5		14	AT119517	AT110517		
30	2P3W	120	4	1.5	AT139316	AT130316	
		240	6	3.5	AT139318	AT130318	
		480	7	6	AT139319	AT130319	
	3P4W	120/240	12	1.5 @ 120 3.5 @ 240	AT139424	AT130424	
		3Ø240	9	7.5	AT139421	AT130421	
		3Ø480	7	15	AT139419	AT130419	
		3Ø600	5	20	AT139417	AT130417	
		4P5W	3ØY120/208	9	7.5	AT139521	AT130521
			3ØY277/480	7	15	AT139519	AT130519
	3ØY347/600		5	20	AT139517	AT130517	
	32*	3P4W	380 50Hz 440 60Hz	3	12	AT139415	

* 32 Amp. Only for Refrigerated Containers.



Drawing D

Dimensions

Amps	Poles and Wires	Unit of Measure	Dimensions														
			a	b	c	d	e	f	IP44	NEMA 4X IP67	IP44	NEMA 4X IP67					
N.A.	Int'l																
20	16	2P3W	inch	5.00	3.07	0.18	6.54	3.82	4.57	4.72	7.28	7.28	0.28				
			mm	127	78	4.5	166	97	116	120	185	185	7				
20	16	3P4W	inch	5.00	3.07	0.18	6.54	3.82	4.72	4.92	7.28	7.28	0.28				
			mm	127	78	4.5	166	97	120	125	185	185	7				
20	16	4P5W	inch	5.00	3.07	0.18	6.54	3.82	4.92	5.20	7.28	7.28	0.28				
			Mm	127	78	4.5	166	97	125	132	185	185	7				
30	32	2P3W	inch	6.06	3.70	0.18	7.60	4.45	5.71	6.06	8.46	8.46	0.28				
			mm	154	94	4.5	193	113	145	154	215	215	7				
30	32	3P4W	inch	6.06	3.70	0.18	7.60	4.45	5.71	6.06	8.46	8.46	0.28				
			mm	154	94	4.5	193	113	145	154	215	215	7				
30	32	4P5W	inch	6.06	3.70	0.18	7.60	4.45	5.83	6.06	8.46	8.46	0.28				
			mm	154	94	4.5	193	113	148	154	215	215	7				



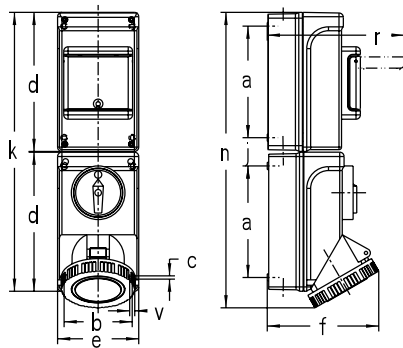
20, 30 Amp
NEMA 4X Watertight (IP67)
Drawing E



20, 30 Amp
Splashproof (IP44)
Drawing E

Amps	Poles and Wires	MCB	Voltage AC	Clock Position of Ground Contact	Horsepower Ratings	NEMA 4X Watertight (IP67)	Splashproof (IP44)
20	2P3W	1 Pole "C"	120	4	0.75	AU119316UD	AU110316UD
			240	6	2	AU119318UD	AU110318UD
			480	7	6	AU119319UD	AU110319UD
	3P4W	3 Pole "C"	120/240	12	.75 @ 120V 2 @ 240V	AU119424SA	AU110424SA
			3Ø240	9	5	AU119421SA	AU110421SA
			3Ø480	7	10	AU119419SA	AU810419SA
			3Ø600	5	14	AU119417SA	AU110417SA
	4P5W	3 Pole "C"	3ØY120/208	9	5	AU119521TA	AU110521TA
			3ØY277/480	7	10	AU119519TA	AU110519TA
			3ØY347/600	5	14	AU119517TA	AU110517TA
30	2P3W	1 Pole "C"	120	4	1.5	AU139316UD	AU130316UD
			240	6	3.5	AU139318UD	AU130318UD
			480	7	6	AU139319UD	AU130319UD
	3P4W	3 Pole "C"	120/240	12	1.5 @ 120 3.5 @ 240	AU139424SA	AU130424SA
			3Ø240	9	7.5	AU139421SA	AU130421SA
			3Ø480	7	15	AU139419SA	AU130419SA
			3Ø600	5	20	AU139417SA	AU130417SA
	4P5W	3 Pole "C"	3ØY120/208	9	7.5	AU139521TA	AU130521TA
			3ØY277/480	7	15	AU139519TA	AU130519TA
			3ØY347/600	5	20	AU139517TA	AU130517TA
32*	3P4W	3 Pole "C"	380 50Hz 440 60Hz	3	12	AU139415SA	

* 32 Amp. Only for Refrigerated Containers.



Drawing E

Amps		Poles and Wires	Unit of Measure	Dimensions															
N.A.	Int'l			a	b	c	d	e	f	IP44	NEMA 4X IP67	j	k	IP44	NEMA 4X IP67	r	v		
20	16	2P3W	inch	5.00	3.07	0.18	6.54	3.82	4.57	4.72	1.54	13.11	13.86	13.86	6.97	0.28			
			mm	127	78	4.5	166	97	116	120	39	333	352	352	177	7			
20	16	3P4W	inch	5.00	3.07	0.18	6.54	3.82	4.72	4.92	1.54	13.11	13.86	13.86	6.97	0.28			
			mm	127	78	4.5	166	97	120	125	39	333	352	352	177	7			
20	16	4P5W	inch	5.00	3.07	0.18	6.54	3.82	4.92	5.20	1.54	13.11	13.86	13.86	6.97	0.28			
			mm	127	78	4.5	166	97	125	132	39	333	352	352	177	7			
30	32	2P3W	inch	6.06	3.70	0.18	7.60	4.45	5.71	6.06	1.54	15.24	16.10	16.10	7.52	0.28			
			mm	154	94	4.5	193	113	145	154	39	387	409	409	191	7			
30	32	3P4W	inch	6.06	3.70	0.18	7.60	4.45	5.71	6.06	1.54	15.24	16.10	16.10	7.52	0.28			
			mm	154	94	4.5	193	113	145	154	39	387	409	409	191	7			
30	32	4P5W	inch	6.06	3.70	0.18	7.60	4.45	5.83	6.06	1.54	15.24	16.10	16.10	7.52	0.28			
			mm	154	94	4.5	193	113	148	154	39	387	409	409	191	7			



20, 30, 60, 100 Amp
NEMA 4X Watertight (IP67)
 Drawing B
 (See Drawing on Page 55)



20, 30, 60 Amp
 Splashproof (IP44)
 Drawing A
 (See Drawing on Page 55)

Amps	Poles and Wires	Voltage AC	Clock Position of Ground Contact	NEMA 4X Watertight (IP67)	Splashproof (IP44)
20	2P3W	120	4	AJ119316SH	AJ110316SH
		240	6	AJ119318SH	AJ110318SH
		480	7	AJ119319SH	AJ110319SH
	3P4W	120/240	12	AJ119424SH	AJ110424SH
		3Ø240	9	AJ119421SH	AJ110421SH
		3Ø480	7	AJ119419SH	AJ110419SH
	4P5W	3ØY120/208	9	AJ119521SH	AJ110521SH
		3ØY277/480	7	AJ119519SH	AJ110519SH
	30	2P3W	120	4	AJ139316SH
240			6	AJ139318SH	AJ130318SH
480			7	AJ139319SH	AJ130319SH
3P4W		120/240	12	AJ139424SH	AJ130424SH
		3Ø240	9	AJ139421SH	AJ130421SH
		3Ø480	7	AJ139419SH	AJ130419SH
4P5W		3ØY120/208	9	AJ139521SH	AJ130521SH
		3ØY277/480	7	AJ139519SH	AJ130519SH
32*		3P4W	380 50Hz 440 60Hz	3	AJ139415SH
60	2P3W	120	4	AJ169316SH	AJ160316SH
		240	6	AJ169318SH	AJ160318SH
		480	7	AJ169319SH	AJ160319SH
	3P4W	120/240	12	AJ169424SH	AJ160424SH
		3Ø240	9	AJ169421SH	AJ160421SH
		3Ø480	7	AJ169419SH	AJ160419SH
	4P5W	3ØY120/208	9	AJ169521SH	AJ160521SH
		3ØY277/480	7	AJ169519SH	AJ160519SH
	100	2P3W	120	4	A0189316SH
240			6	A0189318SH	
480			7	A0189319SH	
3P4W		120/240	12	A0189424SH	
		3Ø240	9	A0189421SH	
		3Ø480	7	A0189419SH	
4P5W		3ØY120/208	9	A0189521SH	
		3ØY277/480	7	A0189519SH	

* 32 Amp. Only for Refrigerated Containers.



IEC 309
 CIRCUIT BREAKER VERSION

ELECTRICAL

Dielectric Voltage Withstand	3,000 Volts
Maximum Working Voltage	600 Volts RMS (switch version) 480 Volts RMS (circuit breaker version)
Current Interrupting	Certified for current interrupting at full rated current and voltage.
Short Circuit Withstand Rating	Suitable for use on a circuit capable of delivering not more than 10,000 RMS symmetrical amperes at the voltage rating of the receptacle.
Operations	Mechanical: 10,000 cycles Electrical: 6,000 cycles

MECHANICAL

Impact Resistance	In accordance with UL 746C
Terminal Identification	In accordance with UL, CSA and international conventions.
Product Identification	Identification, ratings and color code in accordance with UL, CSA and IEC requirements.
Lockout/Tagout	“ON” and “OFF” lockout/tagout capability at switch handle. Complies with OSHA Reg. 29CFR 1910.147
Mounting	
Switch Version	Internal or external adjustable mounting feet
Compact Version	Internal mounting
Circuit Breaker Version	Internal or external adjustable mounting feet

Minimum test requirements

ENVIRONMENTAL

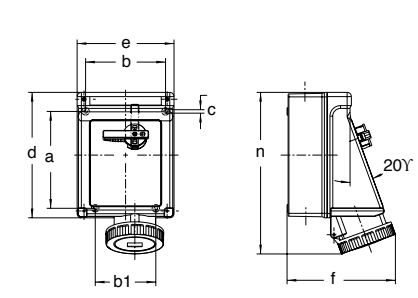
Moisture Resistance	Watertight IP67 (Washdown) - UL Type 4X Splashproof IP44
Flammability	UL94-5VA & V0 Classifications
Operating Temperatures	Maximum Continuous: 60°C (140°F) Minimum Continuous: -40°C (-40°F)
UV Resistance	UV stabilized material
Chemicals	Resists most standard industrial hydrocarbons, acids, bases and solvents.

MATERIALS

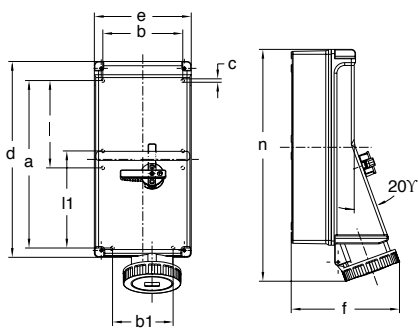
Enclosure (all exterior components)	UL94-5VA/V0, UV stabilized, impact modified Valox®.
Contact Carrier	Molded arc resistant UL94-V0 thermoplastic
Gaskets	Neoprene or EPDM
Contacts (NEMA 4X, Watertight IP67)	Brass, Nickel Plated
Contacts (Splashproof (IP44))	Brass
Hardware (screws & springs)	Steel with zinc-plated blue chromate or nickel plating.

APPROVALS & COMPLIANCES

UL 508 (switch version) Motor Disconnect
UL 508 (compact version) Manual Motor Controller
UL 231 & UL 489 (circuit breaker version)
UL1682 & 1686
CSA C22.2 No. 14, 182.1
IEC 309-1 & IEC 309-2



Drawing A



Drawing B

Drawing A

Amps		Poles and Wires	Unit of Measure	Dimensions										
N.A.	Int'l			a	b	b1	c	d	e	IP44 f	NEMA 4X IP67 f	IP44 n	NEMA 4X IP67 n	
20	16	2P3W	inch	7.20	5.94	4.49	0.26	9.33	7.20	7.17	7.60	10.55	10.63	
			mm	183	151	114	6.5	237	183	182	193	268	270	
20	16	3P4W	inch	7.20	5.94	4.49	0.26	9.33	7.20	7.36	7.64	10.63	10.71	
			mm	183	151	114	6.5	237	183	187	194	270	272	
20	16	4P5W	inch	7.20	5.94	4.49	0.26	9.33	7.20	7.24	7.72	10.75	10.91	
			mm	183	151	114	6.5	237	183	184	196	273	277	
30	32	2P3W	inch	7.20	5.94	4.49	0.26	9.33	7.20	7.36	7.91	11.10	11.22	
			mm	183	151	114	6.5	237	183	187	201	282	285	
30	32	3P4W	inch	7.20	5.94	4.49	0.26	9.33	7.20	7.36	7.91	11.10	11.22	
			mm	183	151	114	6.5	237	183	187	201	282	285	
30	32	4P5W	inch	7.20	5.94	4.49	0.26	9.33	7.20	7.44	7.91	11.18	11.38	
			mm	183	151	114	6.5	237	183	189	201	284	289	
60	63	2P3W	inch	7.20	5.94	4.49	0.26	9.33	7.20	7.72	8.23	11.89	12.17	
			mm	183	151	114	6.5	237	183	196	209	302	309	
60	63	3P4W	inch	7.20	5.94	4.49	0.26	9.33	7.20	7.72	8.23	11.89	12.17	
			mm	183	151	114	6.5	237	183	196	209	302	309	
60	63	4P5W	inch	7.20	5.94	4.49	0.26	9.33	7.20	7.72	8.23	11.89	12.17	
			mm	183	151	114	6.5	237	183	196	209	302	309	

Drawing B

Amps		Poles and Wires	Unit of Measure	Dimensions										
N.A.	Int'l			a	b	b1	c	d	e	NEMA 4X IP67 f	NEMA 4X IP67 n			
100	125	2P3W	inch	12.44	5.94	4.96	0.26	14.57	7.20	9.57	17.72			
			mm	316	151	126	6.5	370	183	243	450			
100	125	3P4W	inch	12.44	5.94	4.96	0.26	14.57	7.20	9.57	17.72			
			mm	316	151	126	6.5	370	183	243	450			
100	125	4P5W	inch	12.44	5.94	4.96	0.26	14.57	7.20	9.57	17.72			
			mm	316	151	126	6.5	370	183	243	450			