

## Enclosed Motor Disconnect Switch

These enclosed switches can be used locally at the motor.



### Catalog Number

Black Handle

Yellow/ Red Handle

	KEM325UL KEM325ULY/R	KEM340UL KEM340ULY/R	KEM360UL KEM360ULY/R	KEM380UL KEM380ULY/R
No. of Poles	3 (4 pole - KEM425UL Y/R)	3 (4 pole - KEM440UL Y/R)	3 (4 pole - KEM460UL Y/R)	3 (4 pole - KEM480UL Y/R)
General Purpose Current	25A	40A	60A	80A
Maximum Voltage	600V AC	600V AC	600V AC	600V AC
Motor FLA @ 480V AC	17.5A	28A	34A	—
Motor FLA @ 600V AC	11A	18A	27A	47A

### Horsepower Rating /HP

	1 Phase	3 Phase	1 Phase	3 Phase	1 Phase	3 Phase	1 Phase	3 Phase
110-120V AC	1	2	2	3	3	5	3	7.5
200V AC	2	5	3	7.5	5	10	7.5	10
208V AC	2	5	3	7.5	5	10	7.5	15
220-240V AC	3	7.5	5	10	5	10	7.5	15
265V AC	3	7.5	5	10	5	10	10	20
277V AC	3	7.5	5	10	7.5	10	10	20
380-415V AC	5	10	7.5	15	10	20	15	25
440-480V AC	7.5	15	10	20	15	25	20	30
550-600V AC	5	10	7.5	15	15	25	25	40

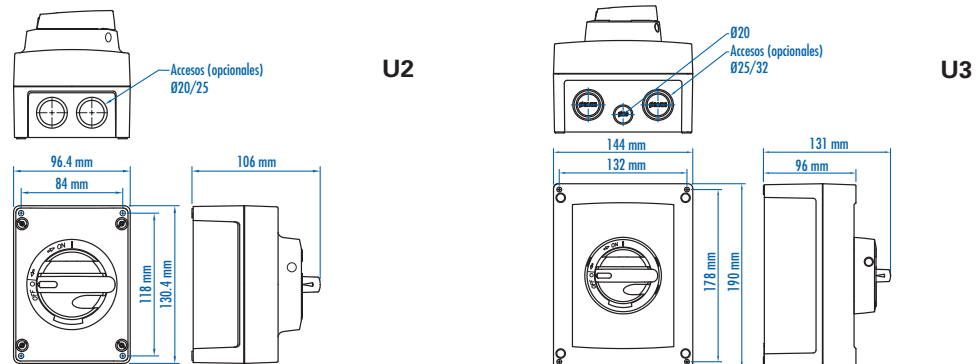
### Short Circuit Withstand Rating at 600V with Max. Fuse Size/Class:

	10kA	10kA	10kA	10kA
K5	50A	50A	60A	150A
RK5	50A	50A	60A (80A @ 480V AC)	150A
RK1	80A	80A	100A	—
J	80A	80A	100A	200A

### Terminal Size Acceptability (Cu Conductors only, 75°C)

	14-8AWG	14-8AWG	12-4AWG	4-1/0AWG
Terminal Torque	16 lb. in.	16 lb. in.	16 lb. in.	50 lb. in.
Environmental Rating	NEMA Type 4X	NEMA Type 4X	NEMA Type 4X	NEMA Type 4X
Enclosure Type Used	U2	U3	U3	U3

### Dimensions



Weight	0.49kg (1.08 lb.)	0.72kg (1.587 lb.)	0.773kg (1.698 lb.)	1.021kg (2.249 lb.)
--------	-------------------	--------------------	---------------------	---------------------

### Suitable Accessories

Auxiliary Contacts	KU1.V, KU2.V	KU1.V, KU2.V	KU1.V, KU2.V	VKA1.V, VKA2.V
--------------------	--------------	--------------	--------------	----------------

\*16A model also available, please contact us.

Dimensions (to convert to inches multiply by 0.03937)

## Enclosed Motor Disconnect Switch



## FUSED



KEM3100L  
KEM3100L Y/R  
3 (4 pole - KEM4100L Y/R)  
100A  
600V AC  
-  
54A

KEM3125L  
KEM3125L Y/R  
3 (4 pole - KEM4125L Y/R)  
125A  
600V AC  
-  
68A

KEM3150L  
KEM3150L Y/R  
3 (4 pole - KEM4150L Y/R)  
150A  
600V AC  
-  
83A

KKVM332, KKVM332CC  
KKVM332 Y/R, KKVM332CCY/R  
3  
30A  
600V AC

1 Phase	3 Phase
3	7.5
7.5	15
7.5	15
10	20
10	20
10	20
15	30
20	40
30	50

1 Phase	3 Phase
5	10
10	20
10	20
15	25
15	25
15	30
20	40
30	50
30	60

1 Phase	3 Phase
7.5	10
10	25
10	25
15	30
20	30
25	50
30	60
40	75

Cat. No.	Fuse Type
KKVM 332 (Y/R)	10x38, Midget
KKVM 332CC (Y/R)	Class CC

10kA  
150A  
150A  
-  
200A

10kA  
150A  
150A  
-  
200A

10kA  
150A  
150A  
-  
200A

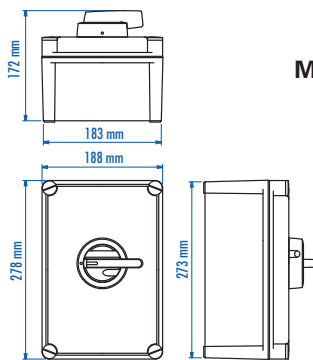
10kA  
50A  
50A  
80A  
80A

4-1/0AWG  
50 lb. in.  
NEMA Type 4X  
MF10

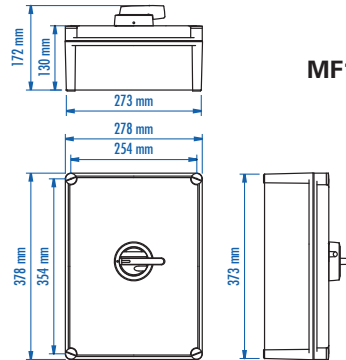
4-1/0AWG  
50 lb. in.  
NEMA Type 4X  
MF10

4-1/0AWG  
50 lb. in.  
NEMA Type 4X  
MF11UL

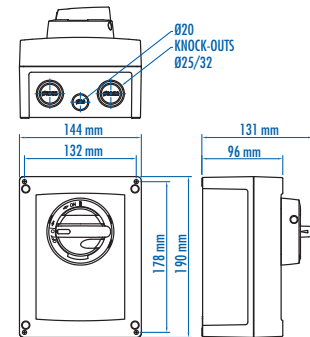
14-8AWG  
16 lb. in.  
NEMA Type 4X  
U3



MF10



MF11UL



U3

1.9051kg (4.2 lb.)

1.9051kg (4.2 lb.)

2.8351kg (6.25 lb.)

0.998kg (2.2 lb.)

VKA1.V, VKA2.V

VKA1.V, VKA2.V

VKA1.V, VKA2.V

KU1.V, KU2.V

Dimensions (to convert to inches multiply by 0.03937)