



16, 32, 63 Amp
Watertight (IP67)
Drawing A
(See Drawing on Page 55)



16, 32, 63 Amp
Splashproof (IP44)
Drawing A
(See Drawing on Page 55)

| Amps | Poles and Wires | Voltage AC | Clock Position of Ground Contact | NEMA 4X Watertight (IP67) | Splashproof (IP44) | |
|------|-----------------|------------|----------------------------------|---------------------------|--------------------|----------|
| 16 | 2P3W | 110 | 4 | AE119304 | AE110304 | |
| | | 230 | 6 | AE119306 | AE110306 | |
| | | 400 | 9 | AE119309 | AE110309 | |
| | 3P4W | 110 | 4 | AE119404 | AE110404 | |
| | | 230 | 9 | AE119409 | AE110409 | |
| | | 400 | 6 | AE119406 | AE110406 | |
| | | 500 | 7 | AE119407 | AE110407 | |
| | | 4P5W | 110 | 4 | AE119504 | AE110504 |
| | 32 | 2P3W | 110 | 4 | AE139304 | AE130304 |
| | | | 230 | 6 | AE139306 | AE130306 |
| | | | 400 | 9 | AE139309 | AE130309 |
| | | 3P4W | 110 | 4 | AE139404 | AE130404 |
| 230 | | | 9 | AE139409 | AE130409 | |
| 400 | | | 6 | AE139406 | AE130406 | |
| 500 | | | 7 | AE139407 | AE130407 | |
| 4P5W | | 110 | 4 | AE139504 | AE130504 | |
| | | 230 | 9 | AE139509 | AE130509 | |
| 32* | 3P4W | 380 50Hz | 3 | AE139403 | AE130 | |
| | | 440 60Hz | | | | |
| | | | | | | |
| 63 | 2P3W | 110 | 4 | AE169304 | AE160304 | |
| | | 230 | 6 | AE169306 | AE160306 | |
| | | 400 | 9 | AE169309 | AE160309 | |
| | 3P4W | 110 | 4 | AE169404 | AE160404 | |
| | | 230 | 9 | AE169409 | AE160409 | |
| | | 400 | 6 | AE169406 | AE160406 | |
| | | 500 | 7 | AE169407 | AE160407 | |
| | 4P5W | 110 | 4 | AE169504 | AE160504 | |
| | | 230 | 9 | AE169509 | AE160509 | |
| | | 400 | 6 | AE169 | AE160 | |

* 32 Amp. Only for Refrigerated Containers.



125 Amp
Watertight (IP67)
Drawing B
(See Drawing on Page 55)

| | | | | | |
|-----|------|-----|---|----------|--|
| 125 | 2P3W | 110 | 4 | A0179304 | |
| | | 230 | 6 | A0179306 | |
| | | 400 | 9 | A0179309 | |
| | 3P4W | 110 | 4 | A0179404 | |
| | | 230 | 9 | A0179409 | |
| | | 400 | 6 | A0179406 | |
| | | 500 | 7 | A0179407 | |
| | 4P5W | 110 | 4 | A0179504 | |
| | | 230 | 9 | A0179509 | |
| | | 400 | 6 | A0179 | |



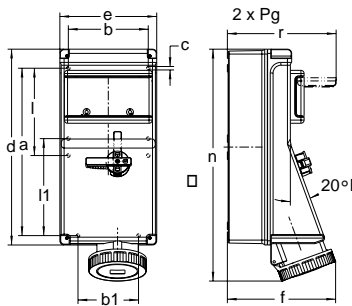
16, 32, 63 Amp
Watertight (IP67)
Drawing C



16, 32, 63 Amp
Splashproof (IP44)
Drawing C

| Amps | Poles and Wires | MCB | Voltage AC | Clock Position of Ground Contact | NEMA 4X Watertight (IP67) | Splashproof (IP44) | |
|------|-----------------|------------|------------|----------------------------------|---------------------------|--------------------|------------|
| 16 | 2P3W | 1 Pole "C" | 110 | 4 | AL119304UD | AL110304UD | |
| | | | 230 | 6 | AL119306UD | AL110306UD | |
| | | | 400 | 9 | AL119309UD | AL110309UD | |
| | 3P4W | 3 Pole "C" | 110 | 4 | AL119404SA | AL110404SA | |
| | | | 230 | 9 | AL119409SA | AL110409SA | |
| | | | 400 | 6 | AL119406SA | AL110406SA | |
| | | | 500 | 7 | AL119407SA | AL110407SA | |
| | 4P5W | 3 Pole "C" | 110 | 4 | AL119504TA | AL110504TA | |
| | | | 230 | 9 | AL119509TA | AL110509TA | |
| | | | 400 | 6 | AL119TA | AL110TA | |
| | 32 | 2P3W | 1 Pole "C" | 110 | 4 | AL139304UD | AL130304UD |
| | | | | 230 | 6 | AL139306UD | AL130306UD |
| 400 | | | | 9 | AL139309UD | AL130309UD | |
| 3P4W | | 3 Pole "C" | 110 | 4 | AL139404SA | AL130404SA | |
| | | | 230 | 9 | AL139409SA | AL130409SA | |
| | | | 400 | 6 | AL139406SA | AL130406SA | |
| | | | 500 | 7 | AL139407SA | AL130407SA | |
| 4P5W | | 3 Pole "C" | 110 | 4 | AL139504TA | AL130504TA | |
| | | | 230 | 9 | AL139509TA | AL130509TA | |
| | | | 400 | 6 | AL139TA | AL130TA | |
| 32* | | 3P4W | 3 Pole "C" | 380 50Hz 440 60Hz | 3 | AL139403SA | |
| 63 | | 2P3W | 1 Pole "C" | 110 | 4 | AL169304UD | AL160304UD |
| | 230 | | | 6 | AL169306UD | AL160306UD | |
| | 400 | | | 9 | AL169309UD | AL160309UD | |
| | 3P4W | 3 Pole "C" | 110 | 4 | AL169404SA | AL160404SA | |
| | | | 230 | 9 | AL169409SA | AL160409SA | |
| | | | 400 | 6 | AL169406SA | AL160406SA | |
| | | | 500 | 7 | AL169407SA | AL160407SA | |
| | 4P5W | 3 Pole "C" | 110 | 4 | AL169504TA | AL160504TA | |
| | | | 230 | 9 | AL169509TA | AL160509TA | |
| | | | 400 | 6 | AL169TA | AL160TA | |

* 32 Amp. Only for Refrigerated Containers.



Drawing C

Dimensions

| Amps | N.A. | Int'l | Poles and Wires | Unit of Measure | Dimensions | | | | | | | | | | | | | | | |
|------|------|-------|-----------------|-----------------|------------|------|------|-------|------|------|------|--------|----------------|-------|-------|--------|----------------|---|--|--|
| | | | | | a | b | b1 | c | d | e | f | IP44 f | NEMA 4X IP67 f | l | l1 | IP44 n | NEMA 4X IP67 n | r | | |
| 20 | 16 | 2P3W | inch | 12.44 | 5.94 | 4.49 | 0.26 | 14.57 | 7.20 | 7.17 | 7.60 | 6.50 | 7.20 | 15.79 | 15.91 | 8.11 | | | | |
| | | | mm | 316 | 151 | 114 | 6.5 | 370 | 183 | 182 | 193 | 165 | 183 | 401 | 404 | 206 | | | | |
| 20 | 16 | 3P4W | inch | 12.44 | 5.94 | 4.49 | 0.26 | 14.57 | 7.20 | 7.36 | 7.64 | 6.50 | 7.20 | 15.91 | 15.94 | 8.11 | | | | |
| | | | mm | 316 | 151 | 114 | 6.5 | 370 | 183 | 187 | 194 | 165 | 183 | 404 | 405 | 206 | | | | |
| 20 | 16 | 4P5W | inch | 12.44 | 5.94 | 4.49 | 0.26 | 14.57 | 7.20 | 7.24 | 7.72 | 6.50 | 7.20 | 15.94 | 16.14 | 8.11 | | | | |
| | | | mm | 316 | 151 | 114 | 6.5 | 370 | 183 | 184 | 196 | 165 | 183 | 405 | 410 | 206 | | | | |
| 30 | 32 | 2P3W | inch | 12.44 | 5.94 | 4.49 | 0.26 | 14.57 | 7.20 | 7.36 | 7.91 | 6.50 | 7.20 | 16.34 | 16.46 | 8.11 | | | | |
| | | | mm | 316 | 151 | 114 | 6.5 | 370 | 183 | 187 | 201 | 165 | 183 | 415 | 418 | 206 | | | | |
| 30 | 32 | 3P4W | inch | 12.44 | 5.94 | 4.49 | 0.26 | 14.57 | 7.20 | 7.36 | 7.91 | 6.50 | 7.20 | 16.34 | 16.46 | 8.11 | | | | |
| | | | mm | 316 | 151 | 114 | 6.5 | 370 | 183 | 187 | 201 | 165 | 183 | 415 | 418 | 206 | | | | |
| 30 | 32 | 4P5W | inch | 12.44 | 5.94 | 4.49 | 0.26 | 14.57 | 7.20 | 7.44 | 7.91 | 6.50 | 7.20 | 16.42 | 16.46 | 8.11 | | | | |
| | | | mm | 316 | 151 | 114 | 6.5 | 370 | 183 | 189 | 201 | 165 | 183 | 417 | 418 | 206 | | | | |
| 60 | 63 | 2P3W | inch | 12.44 | 5.94 | 4.49 | 0.26 | 14.57 | 7.20 | 7.72 | 8.23 | 6.50 | 7.20 | 17.01 | 17.44 | 8.11 | | | | |
| | | | mm | 316 | 151 | 114 | 6.5 | 370 | 183 | 196 | 209 | 165 | 183 | 432 | 443 | 206 | | | | |
| 60 | 63 | 3P4W | inch | 12.44 | 5.94 | 4.49 | 0.26 | 14.57 | 7.20 | 7.72 | 8.23 | 6.50 | 7.20 | 17.01 | 17.44 | 8.11 | | | | |
| | | | mm | 316 | 151 | 114 | 6.5 | 370 | 183 | 196 | 209 | 165 | 183 | 432 | 443 | 206 | | | | |
| 60 | 63 | 4P5W | inch | 12.44 | 5.94 | 4.49 | 0.26 | 14.57 | 7.20 | 7.72 | 8.23 | 6.50 | 7.20 | 17.01 | 17.44 | 8.11 | | | | |
| | | | mm | 316 | 151 | 114 | 6.5 | 370 | 183 | 196 | 209 | 165 | 183 | 432 | 443 | 206 | | | | |



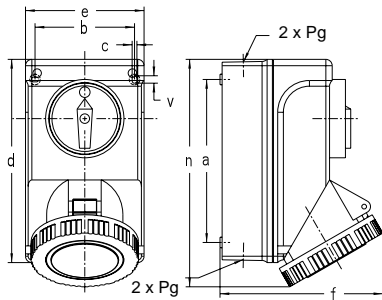
16, 32 Amp
Watertight (IP67)
Drawing D



16, 32 Amp
Splashproof (IP44)
Drawing D

| Amps | Poles and Wires | Voltage AC | Position of Ground Contact | NEMA 4X Watertight (IP67) | Clock Splashproof (IP44) | |
|------|-----------------|------------|----------------------------|---------------------------|--------------------------|----------|
| 16 | 2P3W | 110 | 4 | AT119304 | AT110304 | |
| | | 230 | 6 | AT119306 | AT110306 | |
| | | 400 | 9 | AT119309 | AT110309 | |
| | 3P4W | 110 | 4 | AT119404 | AT110404 | |
| | | 230 | 9 | AT119409 | AT110409 | |
| | | 400 | 6 | AT119406 | AT110406 | |
| | | 500 | 7 | AT119407 | AT110407 | |
| | | 400 | 6 | AT119 | AT110 | |
| | 4P5W | 110 | 4 | AT119504 | AT110504 | |
| | | 230 | 9 | AT119509 | AT110509 | |
| | | 400 | 6 | AT119 | AT110 | |
| | 32 | 2P3W | 110 | 4 | AT139304 | AT130304 |
| 230 | | | 6 | AT139306 | AT130306 | |
| 400 | | | 9 | AT139309 | AT130309 | |
| 3P4W | | 110 | 4 | AT139404 | AT130404 | |
| | | 230 | 9 | AT139409 | AT130409 | |
| | | 400 | 6 | AT139406 | AT130406 | |
| | | 500 | 7 | AT139407 | AT130407 | |
| 4P5W | | 110 | 4 | AT139504 | AT130504 | |
| | | 230 | 9 | AT139509 | AT130509 | |
| | | 400 | 6 | AT139 | AT130 | |
| 32* | | 3P4W | 380 50Hz 440 60Hz | 3 | AT139403 | |

* 32 Amp. Only for Refrigerated Containers.



Drawing D

Dimensions

| Amps | Poles and Wires | Unit of Measure | Dimensions | | | | | | | | | | |
|------|-----------------|-----------------|------------|-------|------|------|------|------|------|--------|----------------|--------|----------------|
| | | | N.A. | Int'l | a | b | c | d | e | IP44 f | NEMA 4X IP67 f | IP44 n | NEMA 4X IP67 n |
| 20 | 16 | 2P3W | inch | 5.00 | 3.07 | 0.18 | 6.54 | 3.82 | 4.57 | 4.72 | 7.28 | 7.28 | 0.28 |
| | | | mm | 127 | 78 | 4.5 | 166 | 97 | 116 | 120 | 185 | 185 | 7 |
| 20 | 16 | 3P4W | inch | 5.00 | 3.07 | 0.18 | 6.54 | 3.82 | 4.72 | 4.92 | 7.28 | 7.28 | 0.28 |
| | | | mm | 127 | 78 | 4.5 | 166 | 97 | 120 | 125 | 185 | 185 | 7 |
| 20 | 16 | 4P5W | inch | 5.00 | 3.07 | 0.18 | 6.54 | 3.82 | 4.92 | 5.20 | 7.28 | 7.28 | 0.28 |
| | | | mm | 127 | 78 | 4.5 | 166 | 97 | 125 | 132 | 185 | 185 | 7 |
| 30 | 32 | 2P3W | inch | 6.06 | 3.70 | 0.18 | 7.60 | 4.45 | 5.71 | 6.06 | 8.46 | 8.46 | 0.28 |
| | | | mm | 154 | 94 | 4.5 | 193 | 113 | 145 | 154 | 215 | 215 | 7 |
| 30 | 32 | 3P4W | inch | 6.06 | 3.70 | 0.18 | 7.60 | 4.45 | 5.71 | 6.06 | 8.46 | 8.46 | 0.28 |
| | | | mm | 154 | 94 | 4.5 | 193 | 113 | 145 | 154 | 215 | 215 | 7 |
| 30 | 32 | 4P5W | inch | 6.06 | 3.70 | 0.18 | 7.60 | 4.45 | 5.83 | 6.06 | 8.46 | 8.46 | 0.28 |
| | | | mm | 154 | 94 | 4.5 | 193 | 113 | 148 | 154 | 215 | 215 | 7 |



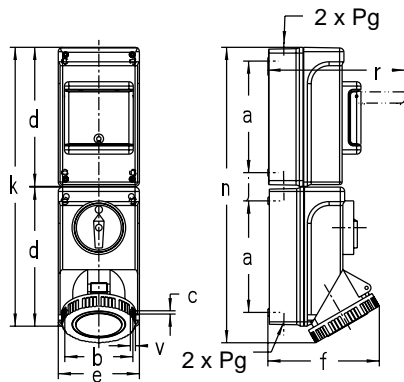
16, 32 Amp
Watertight (IP67)
Drawing E



16, 32 Amp
Splashproof (IP44)
Drawing E

| Amps | Poles and Wires | MCB | Voltage AC | Clock Position of Ground Contact | NEMA 4X Watertight (IP67) | Splashproof (IP44) |
|------|-----------------|------------|----------------------|----------------------------------|---------------------------|--------------------|
| 16 | 2P3W | 1 Pole "C" | 110 | 4 | AU119304UD | AU110304UD |
| | | | 230 | 6 | AU119306UD | AU110306UD |
| | | | 400 | 9 | AU119309UD | AU110309UD |
| | 3P4W | 3 Pole "C" | 110 | 4 | AU119404SA | AU110404SA |
| | | | 230 | 6 | AU119406SA | AU110406SA |
| | | | 400 | 9 | AU119409SA | AU810409SA |
| | | | 500 | 7 | AU119407SA | AU110407SA |
| | 4P5W | 3 Pole "C" | 110 | 4 | AU119504TA | AU110504TA |
| | | | 230 | 9 | AU119509TA | AU110509TA |
| 400 | | | 6 | AU119TA | AU110TA | |
| 32 | 2P3W | 1 Pole "C" | 110 | 4 | AU139304UD | AU130304UD |
| | | | 230 | 6 | AU139306UD | AU130306UD |
| | | | 400 | 9 | AU139309UD | AU130309UD |
| | 3P4W | 3 Pole "C" | 110 | 4 | AU139404SA | AU130404SA |
| | | | 230 | 9 | AU139409SA | AU130409SA |
| | | | 400 | 6 | AU139406SA | AU130406SA |
| | | | 500 | 7 | AU139407SA | AU130407SA |
| | 4P5W | 3 Pole "C" | 110 | 4 | AU139504TA | AU130504TA |
| | | | 230 | 9 | AU139509TA | AU130509TA |
| 400 | | | 6 | AU139TA | AU130TA | |
| 32* | 3P4W | 3 Pole "C" | 380 50Hz 440 60Hz | 3 | AU139403SA | |

* 32 Amp. Only for Refrigerated Containers.



Drawing E

| Amps | | Poles and Wires | Unit of Measure | Dimensions | | | | | | | | | | | | |
|------|-------|-----------------|-----------------|------------|------|------|------|------|------|------|------|-------|-------|-------|------|------|
| N.A. | Int'l | | | a | b | c | d | e | f | IP44 | IP67 | i | k | IP44 | IP67 | r |
| 20 | 16 | 2P3W | inch | 5.00 | 3.07 | 0.18 | 6.54 | 3.82 | 4.57 | 4.72 | 1.54 | 13.11 | 13.86 | 13.86 | 6.97 | 0.28 |
| | | | mm | 127 | 78 | 4.5 | 166 | 97 | 116 | 120 | 39 | 333 | 352 | 352 | 177 | 7 |
| 20 | 16 | 3P4W | inch | 5.00 | 3.07 | 0.18 | 6.54 | 3.82 | 4.72 | 4.92 | 1.54 | 13.11 | 13.86 | 13.86 | 6.97 | 0.28 |
| | | | mm | 127 | 78 | 4.5 | 166 | 97 | 120 | 125 | 39 | 333 | 352 | 352 | 177 | 7 |
| 20 | 16 | 4P5W | inch | 5.00 | 3.07 | 0.18 | 6.54 | 3.82 | 4.92 | 5.20 | 1.54 | 13.11 | 13.86 | 13.86 | 6.97 | 0.28 |
| | | | mm | 127 | 78 | 4.5 | 166 | 97 | 125 | 132 | 39 | 333 | 352 | 352 | 177 | 7 |
| 30 | 32 | 2P3W | inch | 6.06 | 3.70 | 0.18 | 7.60 | 4.45 | 5.71 | 6.06 | 1.54 | 15.24 | 16.10 | 16.10 | 7.52 | 0.28 |
| | | | mm | 154 | 94 | 4.5 | 193 | 113 | 145 | 154 | 39 | 387 | 409 | 409 | 191 | 7 |
| 30 | 32 | 3P4W | inch | 6.06 | 3.70 | 0.18 | 7.60 | 4.45 | 5.71 | 6.06 | 1.54 | 15.24 | 16.10 | 16.10 | 7.52 | 0.28 |
| | | | mm | 154 | 94 | 4.5 | 193 | 113 | 145 | 154 | 39 | 387 | 409 | 409 | 191 | 7 |
| 30 | 32 | 4P5W | inch | 6.06 | 3.70 | 0.18 | 7.60 | 4.45 | 5.83 | 6.06 | 1.54 | 15.24 | 16.10 | 16.10 | 7.52 | 0.28 |
| | | | mm | 154 | 94 | 4.5 | 193 | 113 | 148 | 154 | 39 | 387 | 409 | 409 | 191 | 7 |



16, 32, 63, 125 Amp
Watertight (IP67)
Drawing B
(See Drawing on Page 49)



16, 32, 63, 125 Amp
Splashproof (IP44)
Drawing B
(See Drawing on Page 49)

| Amps | Poles and Wires | Voltage AC | Clock Position of Ground Contact | NEMA 4X Watertight (IP67) | Splashproof (IP44) |
|------|-----------------|----------------------|----------------------------------|---------------------------|--------------------|
| 16 | 2P3W | 110 | 4 | AJ119304SH | AJ110304SH |
| | | 230 | 6 | AJ119306SH | AJ110306SH |
| | | 400 | 9 | AJ119309SH | AJ110309SH |
| | 3P4W | 110 | 4 | AJ119404SH | AJ110404SH |
| | | 230 | 9 | AJ119409SH | AJ110409SH |
| | | 400 | 6 | AJ119406SH | AJ110406SH |
| | 4P5W | 110 | 4 | AJ119504SH | AJ110504SH |
| | | 230 | 9 | AJ119509SH | AJ110509SH |
| | | 400 | 6 | AJ1195SH | AJ1105SH |
| 32 | 2P3W | 110 | 4 | AJ139304SH | AJ130304SH |
| | | 230 | 6 | AJ139306SH | AJ130306SH |
| | | 400 | 9 | AJ139309SH | AJ130309SH |
| | 3P4W | 110 | 4 | AJ139404SH | AJ130404SH |
| | | 230 | 9 | AJ139409SH | AJ130409SH |
| | | 400 | 6 | AJ139406SH | AJ130406SH |
| | 4P5W | 110 | 4 | AJ139504SH | AJ130504SH |
| | | 230 | 9 | AJ139509SH | AJ130509SH |
| | | 400 | 6 | AJ1395SH | AJ1305SH |
| 32* | 3P4W | 380 50Hz 440 60Hz | 3 | AJ139403SH | |
| 63 | 2P3W | 110 | 4 | AJ169304SH | AJ160304SH |
| | | 230 | 6 | AJ169306SH | AJ160306SH |
| | | 400 | 9 | AJ169309SH | AJ160309SH |
| | 3P4W | 110 | 4 | AJ169404SH | AJ160404SH |
| | | 230 | 9 | AJ169409SH | AJ160409SH |
| | | 400 | 6 | AJ169406SH | AJ160406SH |
| | 4P5W | 110 | 4 | AJ169504SH | AJ160504SH |
| | | 230 | 9 | AJ169509SH | AJ160509SH |
| | | 400 | 6 | AJ1695SH | AJ1605SH |
| 125 | 2P3W | 110 | 4 | A0179304SH | |
| | | 230 | 6 | A0179306SH | |
| | | 400 | 9 | A0179309SH | |
| | 3P4W | 110 | 4 | A0179404SH | |
| | | 230 | 9 | A0179409SH | |
| | | 400 | 6 | A0179406SH | |
| | 4P5W | 110 | 4 | A0179504SH | |
| | | 230 | 9 | A0179509SH | |
| | | 400 | 6 | A01795SH | |

* 32 Amp. Only for Refrigerated Containers.