

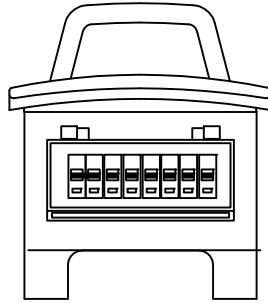


REVISIONS

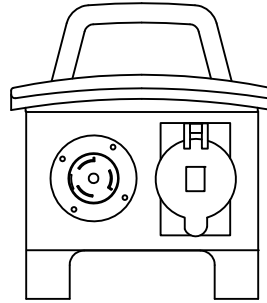
ZONE	REV	DESCRIPTION	DATE	APPROVED
------	-----	-------------	------	----------

PROTECTION:

- (1) 50A 2POLE MCB
- (6) 20A 1POLE MCB



FRONT

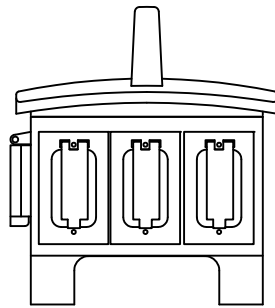


BACK

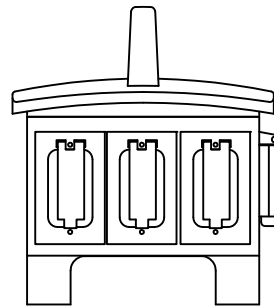
OUTPUT:
 (1) 50A CS6369
 W/W. COVER

INPUT:
 50A INLET CS6375
 120/250V, 2P+N+G

OUTPUT:
 (3) 20A GFCI
 W/W. COVER



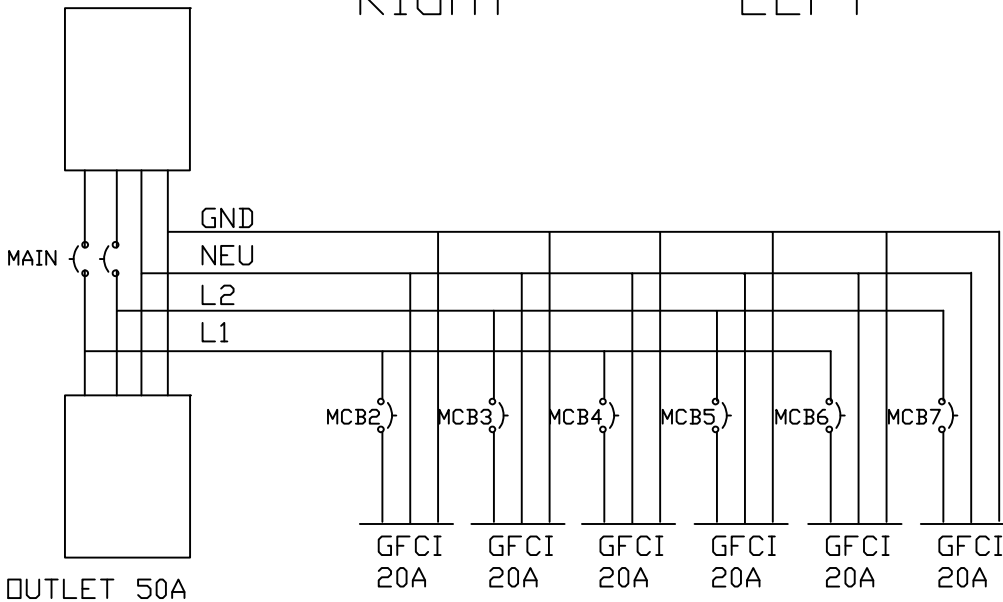
RIGHT



LEFT

OUTPUT:
 (3) 20A GFCI
 W/W. COVER

INLET 50A



OUTLET 50A

WALTHER ELECTRIC

NAME: HEB201U

THIS DRAWING IS THE PROPERTY OF
 WALTHER ELECTRIC CORP. AND MUST NOT
 BE MADE PUBLIC OR COPIED. ALL RIGHTS
 OF DESIGN AND/OR INVENTION ARE
 RESERVED.

SIZE	DRAW BY: JC	DWG NO.	REV
SCALE	DATE: 7-3-2014	SHEET	

