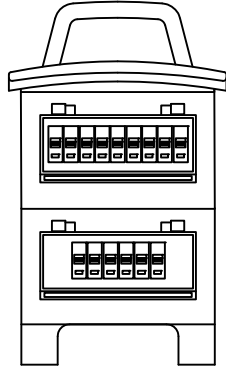


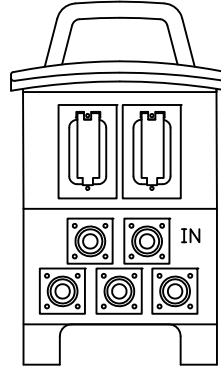
REVISIONS

ZONE	REV	DESCRIPTION	DATE	APPROVED
------	-----	-------------	------	----------

PROTECTION:
(8) 20A 1P MCB



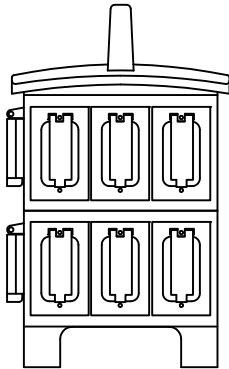
(6) 20A 1P MCB



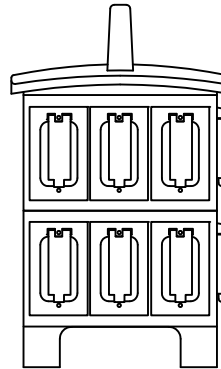
OUTPUT:
(2) 20A GFCI

INPUT:
(5) E16 CAMLOKS
120/208V, 3P+N+G

OUTPUT:
(3) 20A GFCI

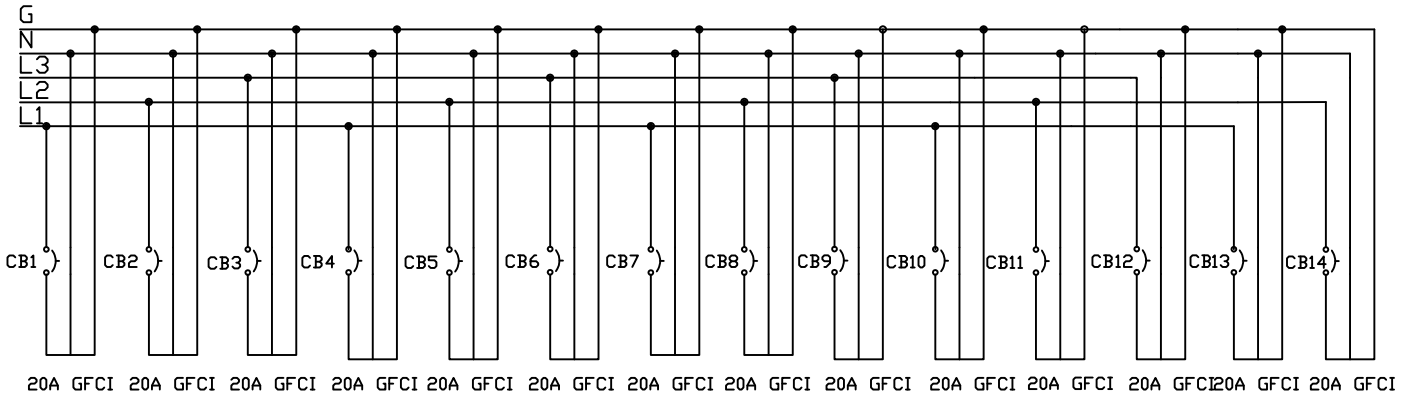


OUTPUT:
(3) 20A GFCI



OUTPUT:
(3) 20A GFCI

OUTPUT:
(3) 20A GFCI



WALTHER ELECTRIC

NAME: HEB3105U

THIS DRAWING IS THE PROPERTY OF WALTHER ELECTRIC CORP. AND MUST NOT BE MADE PUBLIC OR COPIED. ALL RIGHTS OF DESIGN AND/OR INVENTION ARE RESERVED.

SIZE	DRAW BY: JC	DWG NO.	REV
SCALE	DATE: 1-29-2015	SHEET	