

## PRODUCT DATA SHEET

Part Number 279409

EAN

Manufacturer Walther-Werke

WEEE-Reg-Nr: DE 22131895

### 100-A IEC 60309 PLUG, 3-PH, 4 Wire

- High impact thermoplastic housing featuring high resistance And toughness creating an abrasion-resistant material
- Cable gland with “onion ring” neoprene bushing
- Retaining device
- Internal strain relief with “swing-away” feature
- Locking ring and gasket
- Zinc electroplated steel screws
- Shrouded pins
- Color coded by voltage
- Double terminal screws on all amperage devices
- Ground first to mate – last to break for added safety
- Walther can produce and supply the mating cable assemblies.



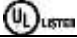
### Ordering/Logistics Information

| Order Unit             | Piece               |
|------------------------|---------------------|
| Customs Number         |                     |
| Net Weight             | 2.94 lbs or 1.33 kg |
| Packing Quantity (VPE) | 2                   |
| Packaging Length       | 12.21 in or 0.31 m  |
| Packaging Width        | 10.04 in or 0.255 m |
| Packaging Depth        | 5.91 in or 0.15 m   |
| Gross Weight (VPE)     | 6.31 lbs or 2.86 kg |

### Conformities

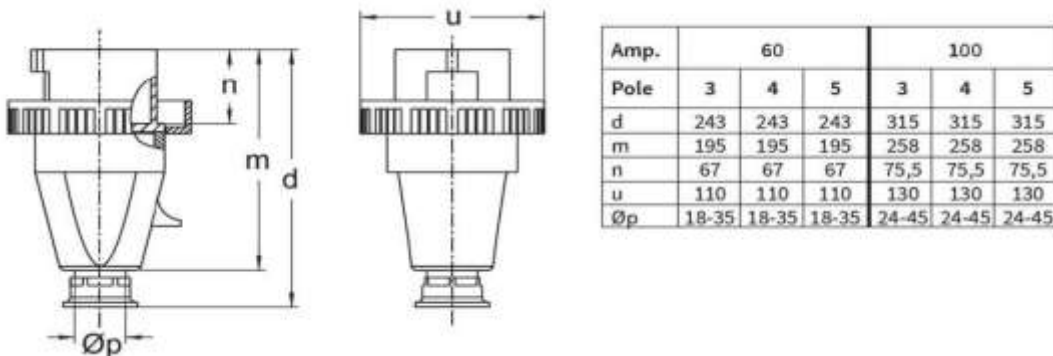
|                  |             |
|------------------|-------------|
| CE Conformity    |             |
| RoHS directive   | 2011/65/EU  |
| RoHS directive   | 2015/863/EU |
| REACH regulation | 1907/2006   |

## Certification

|   |         |   |
|---|---------|---|
| VDE certification                         | 123027  |   |
| UL certification                          | E329476 |  |
| And multiple international certifications |         |   |

## Technical Product Data

|  |                                       |
|--|---------------------------------------|
| IEC-amperage   | <b>125 A</b>                          |
| Amperage according to UL/CSA (for UL-version)                      | 100 A                                 |
| Number of poles and wires  | 3P+G                                  |
| Voltage according to EN 60309-2                                    | 230 V (50+60Hz) blue                  |
| Clock hour position  | 9 h                                   |
| Identification color   | Blue                                  |
| Conductor cross-section  | 6 – 1 AWG or 16 - 50 mm <sup>2</sup>  |
| Cable diameter   | 0.94 – 1.77 in or 24 - 45 mm          |
| Cable strip length   | 3.15 in +/- 0.2 in or 80 mm +/- 5 mm  |
| Cable ferrules length  | 1.06 in +/- 0.04 in or 27 mm +/- 1 mm |
| Maximum torque terminal screw                                      | 3.5-4 Nm                              |
| Maximum torque back shell  | 2 Nm                                  |
| Degree of protection (IP)  | IP67                                  |
| Connection system  | Screwed terminal                      |
| Contact material   | Nickel-plated brass                   |
| Cable entry  | Swivel                                |
| Angle of plug  | Straight                              |
| Material   | Plastic                               |
| Inflammability class of insulation material according to with UL94 | V2                                    |



All specifications are subject to change without notice. Consult a Walthers Electric Engineer for the latest specifications or speak with a member of our Customer Care Team +1 (800) 925-8437.