

## PRODUCT DATA SHEET

Part Number 219409

EAN 4015609013203

Manufacturer Walther-Werke

WEEE-Reg-Nr: DE 22131895

### 16A 4P 230V 9H IP67 IEC Plug

- High impact thermoplastic housing featuring high resistance And toughness creating an abrasion-resistant material
- Zinc electroplated steel screws
- Shrouded pins
- Color coded by voltage
- Double terminal screws on all amperage devices
- Ground first to mate – last to break for added safety
- Walther can produce and supply the mating cable assemblies.



### Ordering/Logistics Information

Order Unit	Piece
Customs Number	8566990
Net Weight	0.47 lbs or 0.212 kg
Packing Quantity (VPE)	10
Packaging Length	12.21 in or 0.31 m
Packaging Width	10.04 in or 0.255 m
Packaging Depth	5.90 in or 0.15 m
Gross Weight (VPE)	5.00 lbs or 2.268 kg

### Conformities

CE Conformity	√
RoHS directive	2011/65/EU
RoHS directive	2015/863/EU
REACH regulation	1907/2006

### Certification

UL certification	E329476	
------------------	---------	---

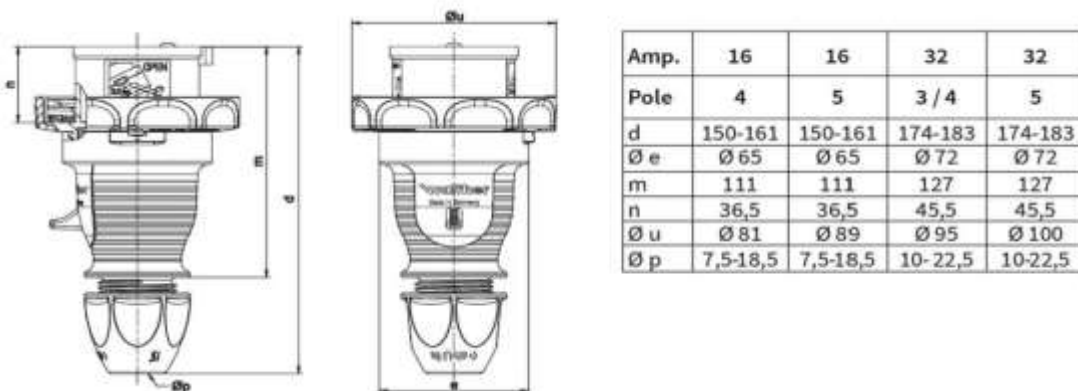
VDE/ENEC certification	40024787
EAC certification	BY112.02.01.020 06090
And multiple international certificate	

### Classification system

Classification system	ETIM_7.0
ETIM Class	EC000140

### Technical Product Data

IEC-amperage	16 A
Amperage according to UL/CSA (for UL-version)	20 A
Number of poles and wires	4 = 3P + G
Voltage according to EN 60309-2	230 V (50+60Hz)
Clock hour position	9 h
Identification color	Blue
Maximum Cable diameter	0.73 in or 18.5 mm
Cable strip length	1.38 in +/- 0.1 in or 35 mm +/- 2.5 mm
Maximum torque terminal screw	0.8 Nm
Degree of protection (IP)	IP67
Connection system	Screwed terminal
Contact material	Nickel-plated brass
Cable entry	Swivel
Angle of plug	Straight
Material	Plastic
Inflammability class of insulation material according to with UL94	V2



All specifications are subject to change without notice. Consult a Walther Electric Engineer for the latest specifications or speak with a member of our Customer Care Team +1 (800) 925-8437.