

PRODUCT DATA SHEET

Part Number	319409
EAN	4015609016471
Manufacturer	Walther-Werke
WEEE-Reg-Nr:	DE 22131895

16A Coupler 4P 230V 9hr IP67

- High impact thermoplastic housing featuring high resistance and toughness creating an abrasion-resistant material
- Retaining Device
- Internal Strain Relief with “swing-away” feature
- Locking Ring and Gasket
- Zinc Electroplated Steel Screws
- Shrouded Pins
- Color Coded by Voltage
- Walther can produce and supply the mating cable assemblies



Ordering/Logistics Information

Order Unit	Piece
Customs Number	85366990
Net Weight	0.59 lbs or 0.267 kg
Packing Quantity (VPE)	10
Packaging Length	12.21 in or 0.31 m
Packaging Width	7.677 in or 0.195 m
Packaging Depth	5.51 in or 0.14 m
Gross Weight (VPE)	6.21 lbs or 2.818 kg

Conformities

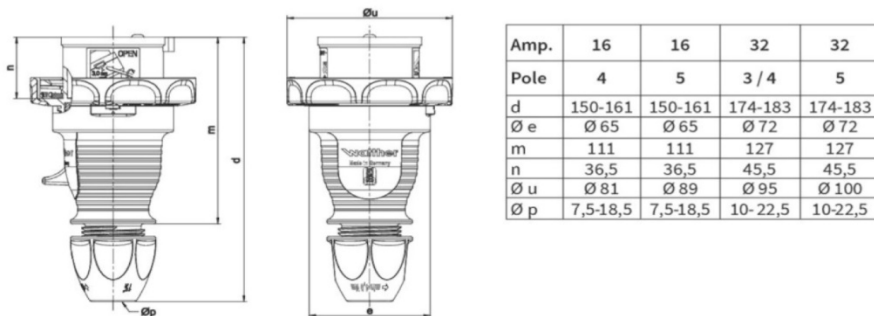
CE Conformity	Y
RoHS directive	2011/65/EU
RoHS directive	2015/863/EU
REACH regulation	1907/2006

Certification

VDE certification	123016
UL certification	E329476
CSA certification	70096522
EAC certification	BY112.02.01.020 06101

Technical Product Data

IEC-amperage	16 A
Amperage according to UL/CSA (for UL-version)	20 A
Number of poles and wires	4 = 3P+G
Voltage according to EN 60309-2	230 V (50+60Hz)
Clock hour position	9 h
Identification color	Blue
RAL-Number	5002
Degree of protection (IP)	IP67
Connection system	Screwed Terminal
Contact material	Nickel-Plated Brass
Cable entry	Swivel
Angle of plug	Straight
Material	Plastic
Inflammability class of insulation material according to UL94	V2



All specifications are subject to change without notice. Consult a Walther Electric Engineer for the latest specifications or speak with a member of our Customer Care Team +1 (800) 925-8437.