

## PRODUCT DATA SHEET

Part Number 210304

EAN 4015609011896

Manufacturer Walther-Werke

WEEE-Reg-Nr: DE 22131895

### 16A 3P 110V 4H IP44 IEC Plug

- High impact thermoplastic housing featuring high resistance And toughness creating an abrasion-resistant material
- Retaining device
- Zinc electroplated steel screws
- Shrouded pins
- Color coded by voltage
- Double terminal screws on all amperage devices
- Ground first to mate – last to break for added safety
- Walther can produce and supply the mating cable assemblies.



### Ordering/Logistics Information

Order Unit	Piece
Customs Number	
Net Weight	0.25 lbs or 0.113 kg
Packing Quantity (VPE)	10
Packaging Length	12.21 in or 0.31 m
Packaging Width	4.42 in or 0.163 m
Packaging Depth	4.45 in or 0.113 m
Gross Weight (VPE)	2.74 lbs or 1.242 kg

### Conformities

CE Conformity	
RoHS directive	2011/65/EU
RoHS directive	2015/863/EU
REACH regulation	1907/2006

### Certification

VDE certification

40024787

UL certification

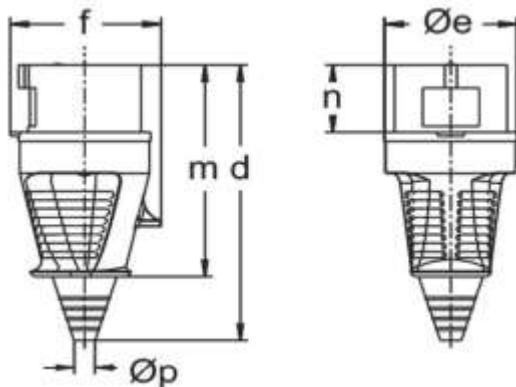
NO. E329476



And multiple international certifications

## Technical Product Data

IEC-amperage	16 A
Amperage according to UL/CSA (for UL-version)	20 A
Number of poles and wires	1P + N + G
Voltage according to EN 60309-2	110 V (50+60Hz) red
Clock hour position	4 h
Identification color	Yellow
Conductor cross-section	17– 12 AWG or 1 – 4 mm <sup>2</sup>
Cable diameter	0.30 – 0.73 in or 7 – 13 mm
Cable strip length	1.19 in +/- 0.1 in or 30 mm +/- 2.5 mm
Cable ferrules length	0.40 in +/- 0.04 in or 10 mm +/- 1 mm
Maximum torque terminal screw	0.8 Nm
Maximum torque cable gland	4 Nm
Degree of protection (IP)	IP44
Connection system	Screwed terminal
Contact material	Brass standard
Cable entry	Anti-kink sleeve
Angle of plug	Straight
Material	Plastic
Inflammability class of insulation material according to with UL94	V2



Amp.	16		32	63		
Pole	3	5	5	3	4	5
d	141	153	181	252	252	252
Øe	51	65	72	81	81	81
f	60	75	88	97	97	97
m	108	117	138	192	192	192
n	37	37	46	67	67	67
Øp	7/13	8/21	11/24	15/33	15/33	15/33

All specifications are subject to change without notice. Consult a Walther Electric Engineer for the latest specifications or speak with a member of our Customer Care Team +1 (800) 925-8437.