

PRODUCT DATA SHEET

Part Number	211
EAN	4015609000203
Manufacturer	Walther-Werke
WEEE-Reg-Nr:	DE 22131895

20A 5P 400V 6H IP44 IEC Plug

- High impact thermoplastic housing featuring high resistance And toughness creating an abrasion-resistant material
- Cable gland with “onion ring” neoprene bushing
- Retaining device
- Internal strain relief with “swing-away” feature
- Locking ring and gasket
- Zinc electroplated steel screws
- Shrouded pins
- Color coded by voltage
- Double terminal screws on all amperage devices
- Ground first to mate – last to break for added safety
- Walther can produce and supply the mating cable assemblies.




Ordering/Logistics Information

Order Unit	Piece
Customs Number	8566990
Net Weight	0.38 lbs. or 0.17 kg
Packing Quantity (VPE)	10
Packaging Length	12.21 in or 0.31 m
Packaging Width	6.42 in or 0.163 m
Packaging Depth	4.45 in or 0.113 m
Gross Weight (VPE)	4.00 lbs. or 1.812 kg

Conformities

CE Conformity	√
RoHS directive	2011/65/EU
RoHS directive	
REACH regulation	1907/2006

Certification

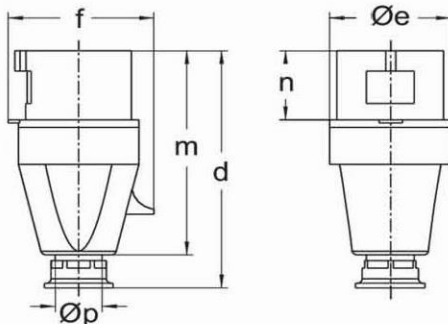
UL certification	E329476	
VDE/ENEC certification	40024787	
EAC certification	BY112.02.01.020 06090	
CSA certification	70096522	

Classification system

Classification system	ETIM_7.0
ETIM Class	EC000140

Technical Product Data

IEC-amperage	16 A
Amperage according to UL/CSA (for UL-version)	20 A
Number of poles and wires	5 = 3P + N + G
Voltage according to EN 60309-2	240/415 V - (50+60Hz) red
Clock hour position	6 h
Identification color	Red
Maximum Cable diameter	0.57 in or 14.5 mm
Cable strip length	1.38 in +/- 0.1 in or 35 mm +/- 2.5 mm
Maximum torque terminal screw	0.8 Nm
Degree of protection (IP)	IP44
Connection system	Screwed terminal
Contact material	Nickel-plated brass
Cable entry	Swivel
Angle of plug	Straight
Material	Plastic
Inflammability class of insulation material according to with UL94	V2



Amp.	20			32			63		
Pole	3	4	5	3	4	5	3	4	5
d	123	131	131	155	155	155	240	240	240
Øe	51	65	65	73	73	73	81	81	81
f	60	68	75	79	79	88	97	97	97
m	118	112	112	133	133	133	192	192	192
n	37	37	37	46	46	46	67	67	67
Øp	7,5-14,5	7,5-14,5	7,5-14,5	10-19,5	10-19,5	10-19,5	18-34,5	18-34,5	18-34,5

All specifications are subject to change without notice. Consult a Walther Electric Engineer for the latest specifications or speak with a member of our Customer Care Team +1 (800) 925-8437.