

# PRODUCT DATA SHEET

Part Number 212519

EAN

Manufacturer Walther-Werke

WEEE-Reg-Nr: DE 22131895

## 20A 5P 480V 7H IP44 IEC PLUG

- High impact thermoplastic housing featuring high resistance And toughness creating an abrasion-resistant material
- Cable gland with “onion ring” neoprene bushing
- Retaining device
- Internal strain relief with “swing-away” feature
- Locking ring and gasket
- Zinc electroplated steel screws
- Shrouded pins
- Color coded by voltage
- Double terminal screws on all amperage devices
- Ground first to mate – last to break for added safety
- Walther can produce and supply the mating cable assemblies.



## Ordering/Logistics Information

Order Unit	Piece
Customs Number	
Net Weight	0.38 lbs. or 0.17 kg
Packing Quantity (VPE)	10
Packaging Length	12.21 in or 0.31 m
Packaging Width	6.6 in or 0.168 m
Packaging Depth	5 in or 0.127 m
Gross Weight (VPE)	4.00 lbs. or 1.812 kg

## Certification

UL certification

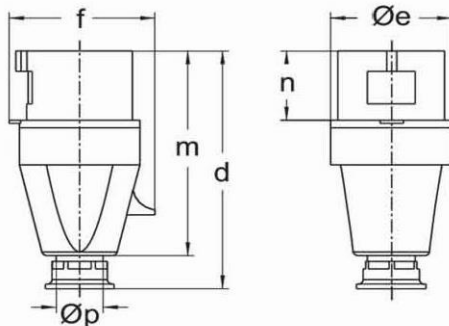
E329476



And multiple international certification

## Technical Product Data

Amperage according to UL/CSA (for UL-version)	20 A
Number of poles and wires	5 = 3P + N + G
Voltage according to EN 60309-2	277-480 V / (50+60Hz) red
Clock hour position	7 h
Identification color	Red
RAL-number	3000
Maximum Cable diameter	0.82 in or 20.82 mm
Cable strip length	1.18 in +/- 0.1 in or 30 mm +/- 2.5 mm
Maximum torque terminal screw	0.8 Nm
Degree of protection (IP)	IP44
Connection system	Screwed terminal
Contact material	Nickel-plated brass
Cable entry	Swivel
Angle of plug	Straight
Material	Plastic
Inflammability class of insulation material according to with UL94	V2



Amp.	20			32			63		
Pole	3	4	5	3	4	5	3	4	5
d	123	131	131	155	155	155	240	240	240
Øe	51	65	65	73	73	73	81	81	81
f	60	68	75	79	79	88	97	97	97
m	118	112	112	133	133	133	192	192	192
n	37	37	37	46	46	46	67	67	67
Øp	7,5-14,5	7,5-14,5	7,5-14,5	10-19,5	10-19,5	10-19,5	18-34,5	18-34,5	18-34,5

All specifications are subject to change without notice. Consult a Walther Electric Engineer for the latest specifications or speak with a member of our Customer Care Team +1 (800) 925-8437.