

## PRODUCT DATA SHEET

Part Number 216316

EAN

Manufacturer Walther-Werke

WEEE-Reg-Nr

### 20A 3P 120V 4H IP44 IEC Angled Plug


- High Impact Thermoplastic featuring high resistance And toughness creating an abrasion-resistant material
- Zinc electroplated Steel Screws
- Double terminal screwed on all amperage devices
- Color Coded by voltage
- Ground first to mate – last to break for added safety
- Walther can custom design configurations that meet your application requirements.
- Walther can produce and supply the mating cable assemblies.



### Ordering/Logistics Information

Order Unit	Piece
Net Weight	0.24 lbs or 0.1064 kg
Packing Quantity (VPE)	10
Packaging Length	12.21 in or 0.31 m
Packaging Width	6.42 in or 0.163 m
Packaging Depth	4.45 in or 0.113 m
Gross Weight (VPE)	2.60 lbs or 1.176 kg

### Certification

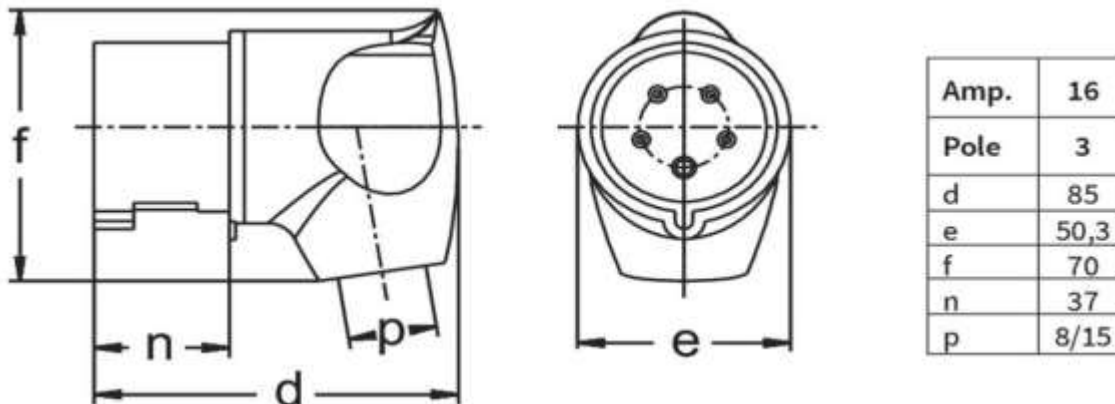
VDE/ENEC certification	40024787
UL certification	E329476 
EAC certification	BY112.02.01.020 06090
And multiple international certifications	

### Classification system

Classification system	ETIM_7.0
ETIM Class	EC000140

## Technical Product Data

IEC-amperage	16A
Amperage acc. UL/CSA	20A
Number of poles and wires	3 = 1P+ N + G
Voltage acc. EN 60309-2	120 V / (50-60HZ)
Clock hour position	4 h
Identification color	Yellow
Conductor cross-section	18 - 14 AWG or 1 - 2.5 mm <sup>2</sup>
Cable diameter	0.31 – 0.59 In or 8 - 15 mm
Cable strip length	1 .18 in +/- 0.08 in or 30 mm +/- 2 mm
Cable ferrules length	0.39 in +/- 0.04 or 10 mm +/- 1 mm
Maximum torque terminal screw	0.8 NM
Maximum torque cable gland	4 NM
Degree of protection (IP)	IP44
Connection system	Screwed terminal
Connection type	Built-up device plug
Cable entry	Anti-kink sleeve
Angle of Plug	Right-Angled
Material	Plastic
Inflammability class of insulation material according to with UL94	V2



All specifications are subject to change without notice. Consult a Walther Electric Engineer for the latest specifications or speak with a member of our Customer Care Team +1 (800) 925-8437.