

PRODUCT DATA SHEET

Part Number 218419

EAN

Manufacturer Walther-Werke

WEEE-Reg-Nr:

20A 4P 480V 7H IP67 IEC Plug

- High impact thermoplastic housing featuring high resistance
- And toughness creating an abrasion-resistant material
- Cable gland with “onion ring” neoprene bushing
- Retaining device
- Internal strain relief with “swing-away” feature
- Locking ring and gasket
- Zinc electroplated steel screws
- Shrouded pins
- Color coded by voltage
- Double terminal screws on all amperage devices
- Ground first to mate – last to break for added safety
- Walther can produce and supply the mating cable assemblies.



Ordering/Logistics Information

Order Unit	Piece
Customs Number	
Net Weight	0.42 lbs or 0.19 kg
Packing Quantity (VPE)	10
Packaging Length	12.21 in or 0.31 m
Packaging Width	7.68 in or 0.195 m
Packaging Depth	5.51 in or 0.14 m
Gross Weight (VPE)	4.69 lbs or 2.128 kg

Certification

UL certification

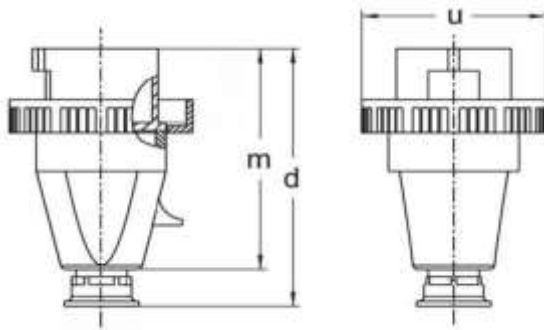
E329476



And multiple international certification

Technical Product Data

IEC-amperage	16 A
Amperage according to UL/CSA (for UL-version)	20 A
Number of poles and wires	4 = 3P + G
Voltage according to EN 60309-2	480 V (50+60Hz)
Clock hour position	7 h
Identification color	Red
Cable strip length	1.38 in +/- 0.1 in or 35 mm +/- 2.5 mm
Maximum Cable diameter	0.82 in or 20 mm
Maximum torque terminal screw	0.8 Nm
Degree of protection (IP)	IP67
Connection system	Screwed terminal
Contact material	Nickel-plated brass
Cable entry	Swivel
Angle of plug	Straight
Material	Plastic
Inflammability class of insulation material according to with UL94	V2



Amp.	16		32
Pole	3	5	5
d	136	150	177
f	78	91	105
m	121	126	149
u	72	88	103

All specifications are subject to change without notice. Consult a Walther Electric Engineer for the latest specifications or speak with a member of our Customer Care Team +1 (800) 925-8437.