

## PRODUCT DATA SHEET

Part Number 219316

EAN

Manufacturer Walther-Werke

WEEE-Reg-Nr:

### 20A 3P 120V 4H IP67 IEC Plug

- High impact thermoplastic housing featuring high resistance And toughness creating an abrasion-resistant material
- Zinc electroplated steel screws
- Shrouded pins
- Color coded by voltage
- Double terminal screws on all amperage devices
- Ground first to mate – last to break for added safety
- Walther can produce and supply the mating cable assemblies.



### Ordering/Logistics Information

Order Unit	Piece
Customs Number	8566990
Net Weight	0.30 lbs or 0.134 kg
Packing Quantity (VPE)	10
Packaging Length	12.21 in or 0.31 m
Packaging Width	7.68 in or 0.195 m
Packaging Depth	5.51 in or 0.14 m
Gross Weight (VPE)	3.28 lbs or 1.488 kg

### Conformities

CE Conformity	√
RoHS directive	2011/65/EU
RoHS directive	2015/863/EU
REACH regulation	1907/2006

### Certification

UL certification

E329476

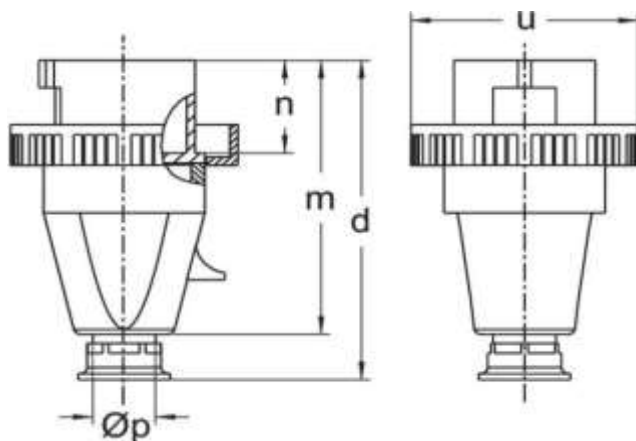


## Classification system

Classification system	ETIM_7.0
ETIM Class	EC000140

## Technical Product Data

IEC-ampereage	16 A
Ampereage according to UL/CSA (for UL-version)	20 A
Number of poles and wires	3 = 1P + N + G
Voltage according to EN 60309-2	120 V (50+60Hz)
Clock hour position	4 h
Identification color	Yellow
Maximum Cable diameter	0.69 in or 14.5 mm
Cable strip length	1 .18 in +/- 0.1 in or 30 mm +/- 2.5 mm
Maximum torque terminal screw	0.8 Nm
Degree of protection (IP)	IP67
Connection system	Screwed terminal
Contact material	Nickel-plated brass
Cable entry	Swivel
Angle of plug	Straight
Material	Plastic
Inflammability class of insulation material according to with UL94	V2



Amp.	16	16	32
Pole	3	5	5
d	126	132	156
m	110	114	135
n	37	37	46
u	72	88	103
Øp	7,5-14,5	7,5-14,5	10-19,5

All specifications are subject to change without notice. Consult a Walther Electric Engineer for the latest specifications or speak with a member of our Customer Care Team +1 (800) 925-8437.