

## PRODUCT DATA SHEET

Part Number 239306

EAN 4015609014286  
 Manufacturer Walther-Werke  
 WEEE-Reg-Nr: DE 22131895

### 32A 3P 230V 6H IP67 IEC Plug

- High impact thermoplastic housing featuring high resistance And toughness creating an abrasion-resistant material
- Zinc electroplated steel screws
- Shrouded pins
- Color coded by voltage
- Double terminal screws on all amperage devices
- Ground first to mate – last to break for added safety
- Walther can produce and supply the mating cable assemblies.




### Ordering/Logistics Information

Order Unit	Piece
Customs Number	8566990
Net Weight	0.62 lbs or 0.282 kg
Packing Quantity (VPE)	10
Packaging Length	12.21 in or 0.31 m
Packaging Width	10.04 in or 0.255 m
Packaging Depth	5.90 in or 0.15 m
Gross Weight (VPE)	6.65 lbs or 3.016 kg

### Conformities

CE Conformity	√
RoHS directive	2011/65/EU
RoHS directive	2015/863/EU
REACH regulation	1907/2006

### Certification

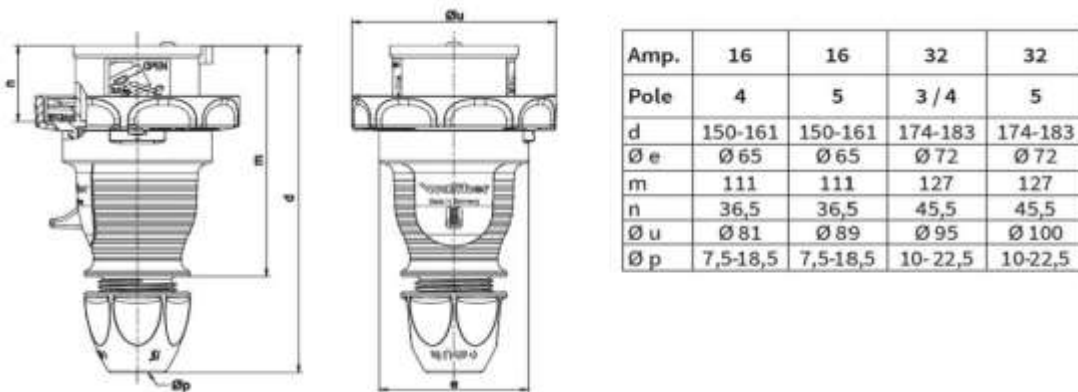
UL certification	E329476	
VDE/ENEC certification	40021520	
EAC certification	BY112.02.01.020 06090	

## Classification system

Classification system	ETIM_7.0
ETIM Class	EC000140

## Technical Product Data

IEC-amperage	32 A
Amperage according to UL/CSA (for UL-version)	30 A
Number of poles and wires	3 = 2P + G
Voltage according to EN 60309-2	230 V (50+60Hz) red
Clock hour position	6 h
Identification color	Blue
Maximum Cable diameter	0.89 in or 22.5 mm
Cable strip length	1.77 in +/- 0.1 in or 45 mm +/- 2.5 mm
Maximum torque terminal screw	0.8 Nm
Degree of protection (IP)	IP67
Connection system	Screwed terminal
Contact material	Nickel-plated brass
Cable entry	Swivel
Angle of plug	Straight
Material	Plastic
Inflammability class of insulation material according to with UL94	V2



All specifications are subject to change without notice. Consult a Walthert Electric Engineer for the latest specifications or speak with a member of our Customer Care Team +1 (800) 925-8437.