

PRODUCT DATA SHEET

Part Number 269306

EAN 4015609015016

Manufacturer Walther-Werke

WEEE-Reg-Nr: DE 22131895

60A-63A 3P 230V 6H IP67 IEC PLUG

- High impact thermoplastic housing featuring high resistance And toughness creating an abrasion-resistant material
- Cable gland with “onion ring” neoprene bushing
- Internal strain relief with “swing-away” feature
- Locking ring and gasket
- Zinc electroplated steel screws
- Shrouded pins
- Color coded by voltage
- Double terminal screws on all amperage devices
- Ground first to mate – last to break for added safety
- Walther can produce and supply the mating cable assemblies.



Ordering/Logistics Information

| | |
|------------------------|----------------------|
| Order Unit | Piece |
| Customs Number | |
| Net Weight | 1.26 lbs or 0.57 kg |
| Packing Quantity (VPE) | 5 |
| Packaging Length | 12.21 in or 0.31 m |
| Packaging Width | 10.04 in or 0.255 m |
| Packaging Depth | 5.91 in or 0.15 m |
| Gross Weight (VPE) | 6.72 lbs or 3.046 kg |

Conformities

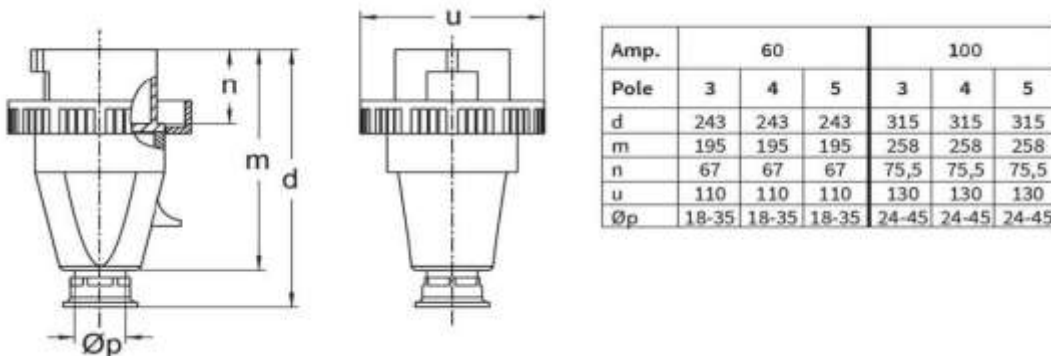
| | |
|------------------|-------------|
| CE Conformity | √ |
| RoHS directive | 2011/65/EU |
| RoHS directive | 2015/863/EU |
| REACH regulation | 1907/2006 |

Certification

| | |
|---|-----------------------|
| VDE certification | 40000693 |
| EAC certification | BY112.02.01.020 06090 |
| UL certification | E329476 |
| And multiple international certifications | |

Technical Product Data

| | |
|--|--|
| IEC-amperage | 63 A |
| Amperage according to UL/CSA (for UL-version) | 60 A |
| Number of poles and wires | 3 = 3P + G |
| Voltage according to EN 60309-2 | 230 V (50+60Hz) |
| Clock hour position | 6 h |
| Identification color | Blue |
| Cable diameter | 0.71 – 1.38 in or 18 - 35 mm |
| Cable strip length | 2.36 in +/- 0.1 in or 60 mm +/- 2.5 mm |
| Cable ferrules length | 0.47 in +/- 0.04 in or 12 mm +/- 1 mm |
| Maximum torque terminal screw | 2 Nm |
| Maximum torque back shell | 2.5 Nm |
| Degree of protection (IP) | IP67 |
| Connection system | Screwed terminal |
| Contact material | Nickel-plated brass |
| Cable entry | Swivel |
| Angle of plug | Straight |
| Material | Plastic |
| Inflammability class of insulation material according to with UL94 | V2 |



All specifications are subject to change without notice. Consult a Walther Electric Engineer for the latest specifications or speak with a member of our Customer Care Team +1 (800) 925-8437.