

## PRODUCT DATA SHEET

Part Number 230306

EAN

Manufacturer Walther-Werke

WEEE-Reg-Nr: DE 22131895

### 30-A IEC 60309 Plug, 1-PH, 3 Wire

- High impact thermoplastic housing featuring high resistance And toughness creating an abrasion-resistant material
- Retaining device
- Zinc electroplated steel screws
- Shrouded pins
- Color coded by voltage
- Double terminal screws on all amperage devices
- Ground first to mate – last to break for added safety
- Walther can produce and supply the mating cable assemblies.



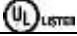
### Ordering/Logistics Information

Order Unit	Piece
Customs Number	
Net Weight	0.56 lbs or 0.25 kg
Packing Quantity (VPE)	10
Packaging Length	12.21 in or 0.31 m
Packaging Width	7.68 in or 0.195 m
Packaging Depth	5.51 in or 0.14 m
Gross Weight (VPE)	5.85 lbs or 2.65 kg

### Conformities

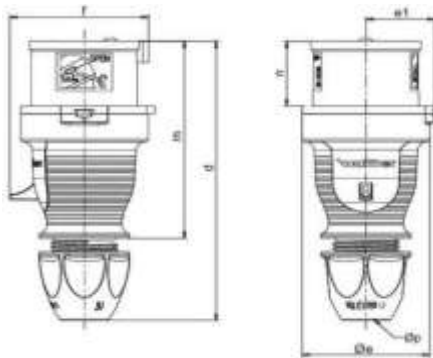
CE Conformity	
RoHS directive	2011/65/EU
RoHS directive	2015/863/EU
REACH regulation	1907/2006

### Certification

VDE certification	40021520
UL certification	NO. E329476 
And multiple international certifications	

## Technical Product Data

IEC-amperage	32 A
Amperage according to UL/CSA (for UL-version)	30 A
Number of poles and wires	2P + G
Voltage according to EN 60309-2	230 V (50+60Hz) blue
Clock hour position	6 h
Identification color	Blue
Conductor cross-section	14– 10 AWG or 2.5 - 6 mm <sup>2</sup>
Cable diameter	0.39 – 0.89 in or 10 – 22.5 mm
Cable strip length	1.77 in +/- 0.1 in or 45 mm +/- 2.5 mm
Cable ferrules length	0.40 in +/- 0.04 in or 10 mm +/- 1 mm
Maximum torque terminal screw	0.8 Nm
Maximum torque cable gland	4 Nm
Degree of protection (IP)	IP44
Connection system	Screwed terminal
Contact material	Brass standard
Cable entry	Swivel
Angle of plug	Straight
Material	Plastic
Inflammability class of insulation material according to with UL94	V2



Amp.	16	16	32	32	32
Pole	4	5	3	4	5
d	150-161	150-161	173-185	173-185	174-183
Øe	65	65	72	72	72
e1	35	35	38,5	38,5	38,5
f	63	71	75	75	83
m	111	111	128	128	128
n	37	37	45,5	45,5	45,5
Øp	7,5 - 18,5	7,5-18,5	10 - 22,5	10 - 22,5	10 - 22,5

All specifications are subject to change without notice. Consult a Walther Electric Engineer for the latest specifications or speak with a member of our Customer Care Team +1 (800) 925-8437.