

PRODUCT DATA SHEET – IEC 60309

Part Number 312409

EAN

Manufacturer Walther-Werke

WEEE-Reg-Nr: DE 22131895

20A 4P 230V 9H IP44 IEC Coupler


- High impact thermoplastic housing featuring high resistance and toughness creating an abrasion-resistant material
- Cable gland with “onion ring” neoprene bushing
- Retaining device
- Internal strain relief with “swing-away” feature
- Locking ring and gasket
- Zinc electroplated steel screws
- Shrouded pins
- Color coded by voltage
- Double terminal screws on all amperage devices
- Ground first to mate – last to break for added safety
- Walther can produce and supply the mating cable assemblies.



Ordering/Logistics Information

Order Unit	Piece
Customs Number	8566990
Net Weight	0.44 lbs. or 0.197 kg
Packing Quantity (VPE)	10
Packaging Length	12.21 in or 0.31 m
Packaging Width	6.42 in or 0.163 m
Packaging Depth	5.45 in or 0.113 m
Gross Weight (VPE)	4.59 lbs. or 2.082 kg

Certification

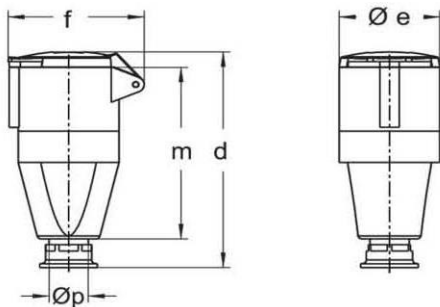
UL certification	E329476	
VDE certification	123016	
EAC certification	BY112.02.01.020 06101	
CSA certification	70096522	

Classification system

Classification system	ETIM_6.0
ETIM Class	EC001320

Technical Product Data

IEC-amperage	16 A
Amperage according to UL/CSA (for UL-version)	20 A
Number of poles and wires	4 = 3P + G
Voltage according to EN 60309-2	230 V - (50+60Hz) red
Clock hour position	9 h
Identification color	Blue
RAL Number	5002
Maximum Cable diameter	0.82 in or 20.82 mm
Cable strip length	1.18 in +/- 0.1 in or 30 mm +/- 2.5 mm
Maximum torque terminal screw	0.8 Nm
Degree of protection (IP)	IP44
Connection system	Screwed terminal
Contact material	Nickel-plated brass
Cable entry	Swivel
Angle of plug	Straight
Material	Plastic
Inflammability class of insulation material according to with UL94	V2



Amp.	16			32			63		
Pole	3	4	5	3	4	5	3	4	5
d	135	151	151	171	171	171	255	255	255
Øe	51	65	65	72	72	72	96	96	96
f	68	85	85	91	91	98	114	114	114
m	110	113	113	136	136	136	194	194	194
Øp	7,5-14,5	7,5-14,5	7,5-14,5	10-19,5	10-19,5	10-19,5	18-34,5	18-34,5	18-34,5

All specifications are subject to change without notice. Consult a Walther Electric Engineer for the latest specifications or speak with a member of our Customer Care Team +1 (800) 925-8437.