

PRODUCT DATA SHEET

Part Number 319316

EAN

Manufacturer Walther-Werke

WEEE-Reg-Nr: DE 22131895

16A 3P 120V 4H IP67 IEC Coupler


- High impact thermoplastic housing featuring high resistance And toughness creating an abrasion-resistant material
- Zinc electroplated steel screws
- Shrouded pins
- Color coded by voltage
- Double terminal screws on all amperage devices
- Ground first to mate – last to break for added safety
- Walther can produce and supply the mating cable assemblies.



Ordering/Logistics Information

Order Unit	Piece
Customs Number	8566990
Net Weight	0.38 lbs or 0.172 kg
Packing Quantity (VPE)	10
Packaging Length	12.21 in or 0.31 m
Packaging Width	6.42 in or 0.163 m
Packaging Depth	4.45 in or 0.113 m
Gross Weight (VPE)	4.04 lbs or 1.832 kg

Certification

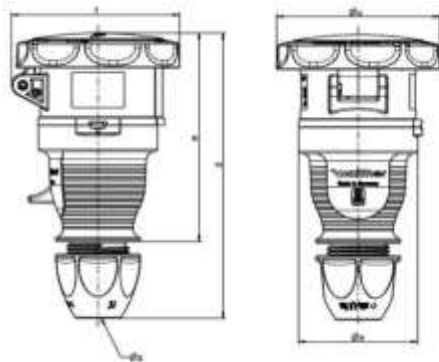
UL certification	E329476	
EAC certification	BY112.02.01.020 06101	
And multiple international certification		

Classification system

Classification system	ETIM_6.0
ETIM Class	EC0001320

Technical Product Data

IEC-amperage	16 A
Amperage according to UL/CSA (for UL-version)	20 A
Number of poles and wires	3 = 1P + N + G
Voltage according to EN 60309-2	125 V (50+60Hz) red
Clock hour position	4 h
Identification color	Yellow
Maximum Cable diameter	0.73 in or 18.5 mm
Cable strip length	1.38 in +/- 0.1 in or 35 mm +/- 2.5 mm
Maximum torque terminal screw	0.8 Nm
Degree of protection (IP)	IP67
Connection system	Screwed terminal
Contact material	Nickel-plated brass
Cable entry	Swivel
Angle of plug	Straight
Material	Plastic
Inflammability class of insulation material according to with UL94	V2



Amp.	16	16	32	32
Pole	4	5	3/4	5
d	150-161	150-161	174-183	174-183
Ø e	Ø 65	Ø 65	Ø 72	Ø 72
f	85	92	95	104
m	125	125	142	142
Ø u	Ø 81	Ø 89	Ø 95	Ø 100
Ø p	7,5 - 18,5	7,5 - 18,5	10 - 22,5	10 - 22,5

All specifications are subject to change without notice. Consult a Walther Electric Engineer for the latest specifications or speak with a member of our Customer Care Team +1 (800) 925-8437.