

PRODUCT DATA SHEET

Part Number 332509

EAN

Manufacturer Walther-Werke

WEEE-Reg-Nr: DE 22131895

30A 5P 120/208V 9H IP44 IEC Coupler

- High impact thermoplastic housing featuring high resistance. And toughness creating an abrasion-resistant material.
- Cable gland with “onion ring” neoprene bushing
- Retaining device
- Internal strain relief with “swing-away” feature
- Locking ring and gasket
- Zinc electroplated steel screws.
- Shrouded pins
- Color coded by voltage.
- Double terminal screws on all amperage devices
- Ground first to mate – last to break for added safety.
- Walther can produce and supply mating cable assemblies.



Ordering/Logistics Information

Order Unit	Piece
Customs Number	
Net Weight	0.68 lbs. or 0.31 kg
Packing Quantity (VPE)	10
Packaging Length	12.21 in or 0.31 m
Packaging Width	7.68 in or 0.195 m
Packaging Depth	5.51 in or 0.14 m
Gross Weight (VPE)	7.32 lbs. or 3.32 kg

Certification

UL certification

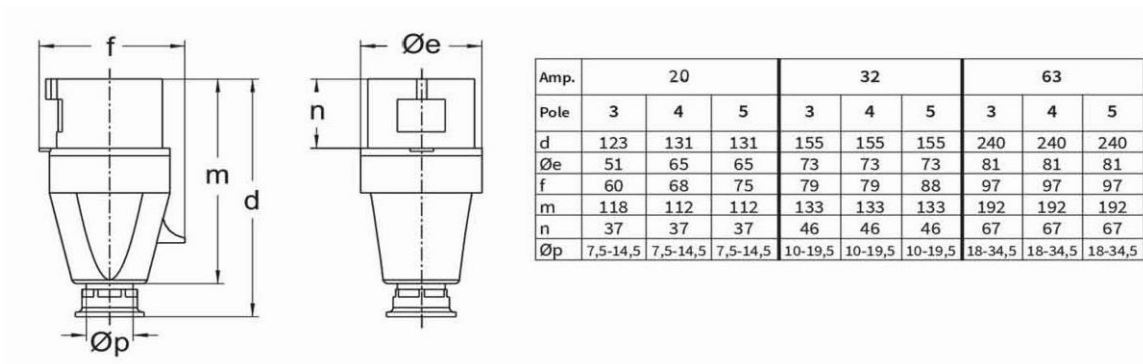
E329476



And multiple international certification

Technical Product Data

IEC-amperage	32 A
Amperage according to UL/CSA (for UL-version)	30 A
Number of poles and wires	3P+N+G
Voltage according to EN 60309-2	120/208 V (50+60Hz) red
Clock hour position	9 h
Identification color	Blue
Maximum Cable diameter	1.10 in or 27.95 mm
Cable strip length	1.77 in +/- 0.1 in or 45 mm +/- 2.5 mm
Maximum torque terminal screw	0.8 Nm
Degree of protection (IP)	IP44
Connection system	Screwed terminal
Contact material	Nickel-plated brass
Cable entry	Swivel
Angle of plug	Straight
Material	Plastic
Inflammability class of insulation material according to with UL94	V2



All specifications are subject to change without notice. Consult a Walther Electric Engineer for the latest specifications or speak with a member of our Customer Care Team +1 (800) 925-8437.