

PRODUCT DATA SHEET - IEC 60309

Part Number 339306

EAN 4015609017294

Manufacturer Walther-Werke

WEEE-Reg-Nr: DE 22131895

32A 3P 230V, 6H IP67 IEC Coupler


- High impact thermoplastic housing featuring high resistance And toughness creating an abrasion-resistant material
- Zinc electroplated steel screws
- Shrouded pins
- Color coded by voltage
- Double terminal screws on all amperage devices
- Ground first to mate – last to break for added safety
- Walther can produce and supply the mating cable assemblies.



Ordering/Logistics Information

Order Unit	Piece
Customs Number	
Net Weight	0.76 lbs or 0.344 kg
Packing Quantity (VPE)	5
Packaging Length	12.21 in or 0.31 m
Packaging Width	10.04 in or 0.255 m
Packaging Depth	5.91 in or 0.15 m
Gross Weight (VPE)	8.02 lbs or 3.636 kg

Certification

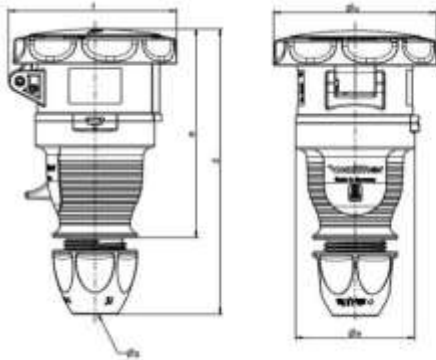
VDE certification	40024804
UL certification	NO. E329476 
CQC certification	2004010203136980
EAC certification	BY112.02.01.020 0601

Classification system

Classification system	ETIM_6.0
ETIM Class	EC001320

Technical Product Data

IEC-amperage	32 A
Amperage according to UL/CSA (for UL-version)	30 A
Number of poles and wires	3 = 2P + G
Voltage according to EN 60309-2	230 V (50+60Hz) red
Clock hour position	6 h
Identification color	Blue
Maximum torque terminal screw	0.8 Nm
Degree of protection (IP)	IP67
Connection system	Screwed terminal
Contact material	Nickel-plated brass
Cable entry	Swivel
Angle of plug	Straight
Material	Plastic
Inflammability class of insulation material according to with UL94	V2



Amp.	16	16	32	32
Pole	4	5	3 / 4	5
d	150-161	150-161	174-183	174-183
Ø e	Ø 65	Ø 65	Ø 72	Ø 72
f	85	92	95	104
m	125	125	142	142
Ø u	Ø 81	Ø 89	Ø 95	Ø 100
Ø p	7,5 - 18,5	7,5 - 18,5	10 - 22,5	10 - 22,5

All specifications are subject to change without notice. Consult a Walther Electric Engineer for the latest specifications or speak with a member of our Customer Care Team +1 (800) 925-8437.