

PRODUCT DATA SHEET

Part Number 361509

EAN 4015609017829

Manufacturer Walther-Werke

WEEE-Reg-Nr: DE 22131895

60A 5P 120/208V 9H IP44 IEC Coupler

- High impact thermoplastic housing featuring high resistance. And toughness creating an abrasion-resistant material.
- Cable gland with “onion ring” neoprene bushing
- Retaining device
- Internal strain relief with “swing-away” feature
- Locking ring and gasket
- Zinc electroplated steel screws
- Shrouded pins
- Color coded by voltage.
- Double terminal screws on all amperage devices
- Ground first to mate – last to break for added safety.
- Walther can produce and supply mating cable assemblies.




Ordering/Logistics Information

Order Unit	Piece
Customs Number	
Net Weight	1.74 lbs. or 0.787 kg
Packing Quantity (VPE)	5
Packaging Length	12.21 in or 0.31 m
Packaging Width	10.04 in or 0.255 m
Packaging Depth	5.91 in or 0.15 m
Gross Weight (VPE)	9.11 lbs. or 4.131 kg

Conformities

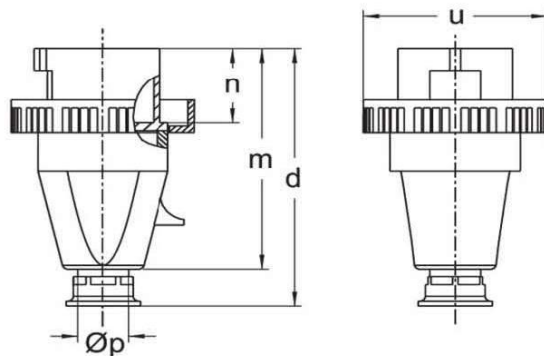
CE Conformity	
RoHS directive	2011/65/EU
RoHS directive	2015/863/EU
REACH regulation	1907/2006

Certification

VDE certification	40000699
UL certification	NO. E329476 
And multiple international certifications	

Technical Product Data

IEC-amperage	63 A
Amperage according to UL/CSA (for UL-version)	60 A
Number of poles and wires	5 = 3P + N + G
Voltage according to EN 60309-2	120/208 V (50+60Hz)
Clock hour position	9 h
Identification color	Blue
Cable diameter	0.71 – 1.38 in or 18 - 35 mm
Cable strip length	2.36 in +/- 0.1 in or 60 mm +/- 2.5 mm
Cable ferrules length	0.47 in +/- 0.04 in or 12 mm +/- 1 mm
Maximum torque terminal screw	2 Nm
Maximum torque back shell	2.5 Nm
Degree of protection (IP)	IP44
Connection system	Screwed terminal
Contact material	Nickel-plated brass
Cable entry	Swivel
Angle of plug	Straight
Material	Plastic
Inflammability class of insulation material according to with UL94	V2



Amp.	60			100		
Pole	3	4	5	3	4	5
d	243	243	243	315	315	315
m	195	195	195	258	258	258
n	67	67	67	75,5	75,5	75,5
u	110	110	110	130	130	130
Øp	18-35	18-35	18-35	24-45	24-45	24-45

All specifications are subject to change without notice. Consult a Walther Electric Engineer for the latest specifications or speak with a member of our Customer Care Team +1 (800) 925-8437.