

PRODUCT DATA SHEET

Part Number	510306
EAN	4015609020904
Manufacturer	Walther-Werke
WEEE-Reg-Nr	DE 22131895

16-20A 230V 3P 6H IP44 IEC 15° Angled receptacle


- High Impact Thermoplastic featuring high resistance And toughness creating an abrasion-resistant material
- Gasket
- Zinc electroplated Steel Screws
- Color Coded by voltage
- Double terminal screws on all amperage devices
- Ground first to mate – last to break for added safety
- Finger-safe in accordance with BGV A3 soft transition radius from flange to collar
- Walther can produce and supply the mating cable assemblies.



Ordering/Logistics Information

Order Unit	Piece
Net Weight	0.26 lbs or 0.117 kg
Packing Quantity (VPE)	10
Packaging Length	12.21 in or 0.31 m
Packaging Width	6.42 in or 0.163 m
Packaging Depth	4.45 in or 0.113 m
Gross Weight (VPE)	2.83 lbs or 1.282 kg

Certification

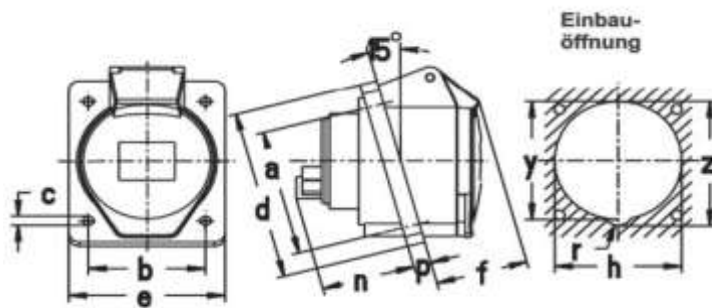
VDE/ENEC certification	123017
UL certification	E83342 
EAC certification	BY112.02.01.020 06089
And multiple international certifications	

Classification system

Classification system	ETIM_6.0
ETIM Class	EC001317

Technical Product Data

IEC-amperage	16A
Amperage acc. UL/CSA	20A
Number of poles	3= 2P + G
Voltage acc. EN 60309-2	230 V / (50-60HZ)
Clock hour position	6 h
Identification color	Blue
RAL-number	5002
Degree of protection (IP)	IP44
Connection system	Screwed terminal
Maximum torque terminal screw	0.8 Nm
Angle of receptacle	Angled
Material	Plastic
Flange size vertical	2.68 in or 68 mm
Drill hole distance vertical	1.85 in or 47 mm
Flange size horizontal	2.44 in or 62 mm
Drill hole distance horizontal	1.85 in or 47 mm



Amp.	16
Pole	3
a	47
b	47
c	5,5
d	68
e	62
f	45
h	51
n	41
p	6
r	6,5
y	52,5
z	57

All specifications are subject to change without notice. Consult a Walther Electric Engineer for the latest specifications or speak with a member of our Customer Care Team +1 (800) 925-843