

## PRODUCT DATA SHEET

Part Number 260424

EAN

Manufacturer Walther-Werke

WEEE-Reg-Nr: DE 22131895

### 60A IEC 60309 PLUG, 1-PH, 4 Wire

- High impact thermoplastic housing featuring high resistance And toughness creating an abrasion-resistant material
- Retaining device
- Internal strain relief with “swing-away” feature
- Zinc electroplated steel screws
- Shrouded pins
- Color coded by voltage
- Double terminal screws on all amperage devices
- Ground first to mate – last to break for added safety
- Walther can produce and supply the mating cable assemblies.



### Ordering/Logistics Information

Order Unit	Piece
Customs Number	
Net Weight	1.17 lbs or 0.527 kg
Packing Quantity (VPE)	5
Packaging Length	12.21 in or 0.31 m
Packaging Width	7.67 in or 0.195 m
Packaging Depth	5.52 in or 0.14 m
Gross Weight (VPE)	6.14 lbs or 2.783 kg

### Conformities

CE Conformity	
RoHS directive	2011/65/EU
RoHS directive	2015/863/EU
REACH regulation	1907/2006

### Certification

VDE certification

40000693

UL certification

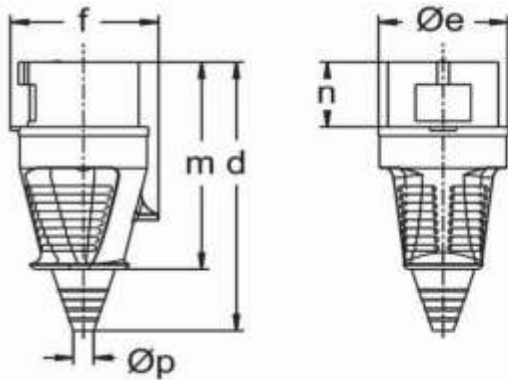
E329476



And multiple international certifications

## Technical Product Data

IEC-amperage	63 A
Amperage according to UL/CSA (for UL-version)	60 A
Number of poles and wires	2P + N + G
Voltage according to EN 60309-2	125-250 V (50+60Hz)
Clock hour position	12 h
Identification color	Orange
Cable diameter	0.59 – 1.30 in or 15 - 33 mm
Cable strip length	2.36 in +/- 0.1 in or 60 mm +/- 2.5 mm
Cable ferrules length	0.47 in +/- 0.04 in or 12 mm +/- 1 mm
Maximum torque terminal screw	2 Nm
Maximum torque back shell	2.5 Nm
Degree of protection (IP)	IP44
Connection system	Screwed terminal
Contact material	Nickel-plated brass
Cable entry	Anti-kink sleeve
Angle of plug	Straight
Material	Plastic
Inflammability class of insulation material according to with UL94	V2



Amp.	16		32	63		
Pole	3	5	5	3	4	5
d	141	153	181	252	252	252
Øe	51	65	72	81	81	81
f	60	75	88	97	97	97
m	108	117	138	192	192	192
n	37	37	46	67	67	67
Øp	7/13	8/21	11/24	15/33	15/33	15/33

All specifications are subject to change without notice. Consult a Walther Electric Engineer for the latest specifications or speak with a member of our Customer Care Team +1 (800) 925-8437.