

## PRODUCT DATA SHEET

Part Number 269316

EAN

Manufacturer Walther-Werke

WEEE-Reg-Nr: DE 22131895

### 60A 3P 125V 4H IP67 IEC PLUG

- High impact thermoplastic housing featuring high resistance And toughness creating an abrasion-resistant material
- Cable gland with “onion ring” neoprene bushing
- Internal strain relief with “swing-away” feature
- Locking ring and gasket
- Zinc electroplated steel screws
- Shrouded pins
- Color coded by voltage
- Double terminal screws on all amperage devices
- Ground first to mate – last to break for added safety
- Walther can produce and supply mating cable assemblies.



### Ordering/Logistics Information

Order Unit	Piece
Customs Number	
Net Weight	1.26 lbs. or 0.57 kg
Packing Quantity (VPE)	5
Packaging Length	12.21 in or 0.31 m
Packaging Width	10.04 in or 0.255 m
Packaging Depth	5.91 in or 0.15 m
Gross Weight (VPE)	6.72 lbs. or 3.046 kg

### Conformities

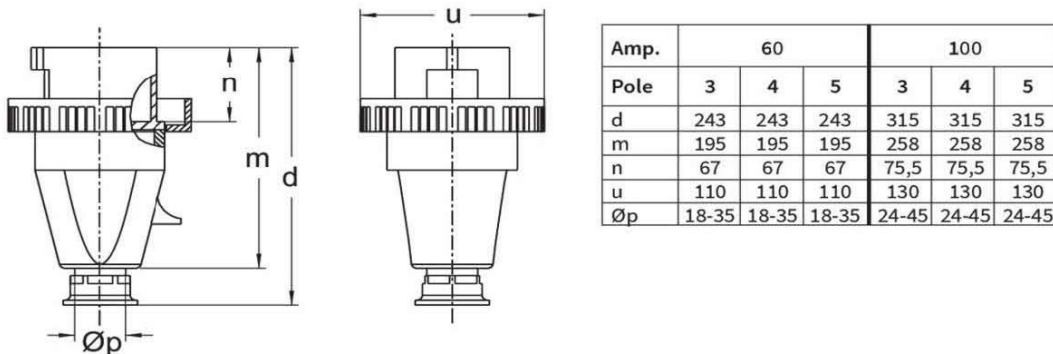
CE Conformity	√
RoHS directive	2011/65/EU
RoHS directive	2015/863/EU
REACH regulation	1907/2006

## Certification

VDE certification	40000693
EAC certification	BY112.02.01.020 06090
UL certification	E329476
And multiple international certifications	

## Technical Product Data

IEC-amperage	63 A
Amperage according to UL/CSA (for UL-version)	60 A
Number of poles and wires	3 = 1P + N + G
Voltage according to EN 60309-2	125 V (50+60Hz)
Clock hour position	4 h
Identification color	Yellow
Cable diameter	0.71 – 1.38 in or 18 - 35 mm
Cable strip length	2.36 in +/- 0.1 in or 60 mm +/- 2.5 mm
Cable ferrules length	0.47 in +/- 0.04 in or 12 mm +/- 1 mm
Maximum torque terminal screw	2 Nm
Maximum torque back shell	2.5 Nm
Degree of protection (IP)	IP67
Connection system	Screwed terminal
Contact material	Nickel-plated brass
Cable entry	Swivel
Angle of plug	Straight
Material	Plastic
Inflammability class of insulation material according to with UL94	V2



All specifications are subject to change without notice. Consult a Walther Electric Engineer for the latest specifications or speak with a member of our Customer Care Team +1 (800) 925-8437.