

PRODUCT DATA SHEET

Part Number 369317

EAN

Manufacturer Walther-Werke

WEEE-Reg-Nr: DE 22131895

60A IEC 60309 Coupler, 1-PH, 3 Wire

- High impact thermoplastic housing featuring high resistance And toughness creating an abrasion-resistant material
- Cable gland with “onion ring” neoprene bushing
- Retaining device
- Internal strain relief with “swing-away” feature
- Locking ring and gasket
- Zinc electroplated steel screws
- Shrouded pins
- Double terminal screws on all amperage devices
- Ground first to mate – last to break for added safety
- Walther can produce and supply the mating cable assemblies.



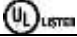
Ordering/Logistics Information

| | |
|------------------------|----------------------|
| Order Unit | Piece |
| Customs Number | |
| Net Weight | 1.58 lbs or 0.716 kg |
| Packing Quantity (VPE) | 5 |
| Packaging Length | 12.21 in or 0.31 m |
| Packaging Width | 10.04 in or 0.255 m |
| Packaging Depth | 5.91 in or 0.15 m |
| Gross Weight (VPE) | 8.57 lbs or 3.886 kg |

Conformities

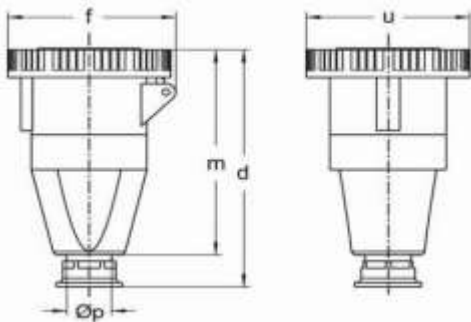
| | |
|------------------|-------------|
| CE Conformity | |
| RoHS directive | 2011/65/EU |
| RoHS directive | 2015/863/EU |
| REACH regulation | 1907/2006 |

Certification

| | |
|---|---|
| VDE certification | 40000699 |
| UL certification | NO. E329476  |
| And multiple international certifications | |

Technical Product Data

| | |
|--|--|
| IEC-amperage | 63 A |
| Amperage according to UL/CSA (for UL-version) | 60 A |
| Number of poles and wires | 1P+N+G |
| Voltage according to EN 60309-2 | 277 V (50+60Hz) |
| Clock hour position | 5 h |
| Conductor cross-section | 10 – 6 AWG or 6 - 16 mm ² |
| Cable diameter | 0.71 – 1.38 in or 18 - 35 mm |
| Cable strip length | 2.36 in +/- 0.1 in or 60 mm +/- 2.5 mm |
| Cable ferrules length | 0.47 in +/- 0.04 in or 12 mm +/- 1 mm |
| Maximum torque terminal screw | 2 Nm |
| Maximum torque back shell | 2.5 Nm |
| Degree of protection (IP) | IP67 |
| Connection system | Screwed terminal |
| Contact material | Nickel-plated brass |
| Cable entry | Swivel |
| Angle of plug | Straight |
| Material | Plastic |
| Inflammability class of insulation material according to with UL94 | V2 |



| Amp. | 20 | 60 | | | 100 | | |
|------|----------|---------|---------|---------|-------|-------|-------|
| Pole | 3 | 3 | 4 | 5 | 3 | 4 | 5 |
| d | 136 | 255 | 255 | 255 | 332 | 332 | 332 |
| f | 78 | 117 | 117 | 117 | 130 | 130 | 130 |
| m | 121 | 206 | 206 | 206 | 275 | 275 | 275 |
| u | 72 | 110 | 110 | 110 | 130 | 130 | 130 |
| Øp | 7,5-14,5 | 18-34,5 | 18-34,5 | 18-34,5 | 24-45 | 24-45 | 24-45 |

All specifications are subject to change without notice. Consult a Walther Electric Engineer for the latest specifications or speak with a member of our Customer Care Team +1 (800) 925-8437.