

PRODUCT DATA SHEET

Part Number	619
EAN	4015609000944
Manufacturer	Walther-Werke
WEEE-Reg-Nr	DE 22131895




20A 5P 400V 6H IP67 IEC Angled inlet

- High Impact Thermoplastic featuring high resistance and toughness creating an abrasion-resistant material
- Gasket
- Zinc electroplated Steel Screws
- Color Coded by voltage
- Double terminal screws on all amperage devices
- Ground first to mate – last to break for added safety
- Finger-safe in accordance with BGV A3 soft transition radius from flange to collar
- Walther can produce and supply the mating cable assemblies.

Ordering/Logistics Information

Order Unit	Piece
Net Weight	0.51 lbs. or 0.2307 kg
Packing Quantity (VPE)	10
Packaging Length	12.21 in or 0.31 m
Packaging Width	7.68 in or 0.195 m
Packaging Depth	5.51 in or 0.14 m
Gross Weight (VPE)	5.42 lbs. or 2.455 kg

Certification

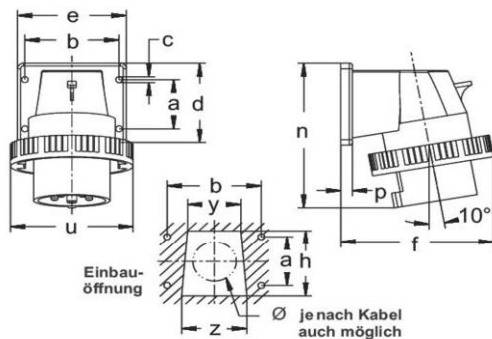
VDE/ENEC certification	123018
UL certification	E83342 
EAC certification	BY112.02.01.020 06091
And multiple international certifications	

Classification system

Classification system	ETIM_6.0
ETIM Class	EC001319

Technical Product Data

IEC-amperage	16A
Amperage acc. UL/CSA	20A
Number of poles	5 = 3P + G
Voltage acc. EN 60309-2	240/415 V / (50-60HZ)
Clock hour position	6 h
Identification color	Red
RAL-number	3000
Degree of protection (IP)	IP67
Connection system	Screwed terminal
Maximum torque terminal screw	0.8 Nm
Angle of receptacle	Angled
Material	Plastic
Connection type	Built-up device plug



Amp.	16			32			63		
Pole	3	4	5	3	4	5	3	4	5
a	30	40	40	45	45	45	90	90	90
b	55	68	68	78	78	78	90	90	90
c	5,5	5,5	5,5	5,5	5,5	5,5	6,2	6,2	6,2
d	52	66	66	75	75	75	114	114	114
e	65	80	80	90	90	90	114	114	114
f	81	99	103	111	111	117	129	129	129
h	38	52	52	60	60	60	70	70	70
n	98	111	113	131	131	131	184	184	184
p	9,5	9,5	9,5	9,5	9,5	9,5	6	6	6
u	72	81	88	96	96	103	110	110	110
y	30	38	38	44	44	44	56	56	56
z	36	46	46	54	54	54	65	65	65

All specifications are subject to change without notice. Consult a Walther Electric Engineer for the latest specifications or speak with a member of our Customer Care Team +1 (800) 925-843