

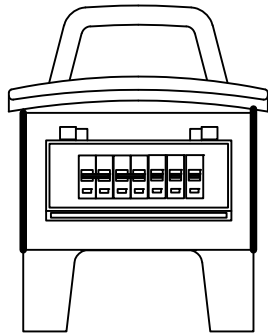


REVISIONS

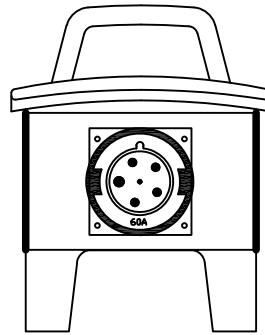
ZONE	REV	DESCRIPTION	DATE	APPROVED
------	-----	-------------	------	----------

PROTECTION:

- (1) 30A 2P MCB
- (1) 20A 2P MCB
- (3) 20A 1P MCB



FRONT

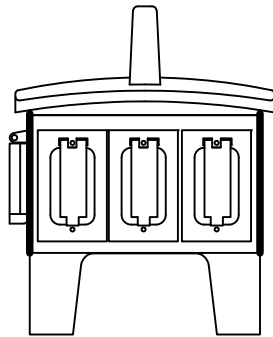


BACK

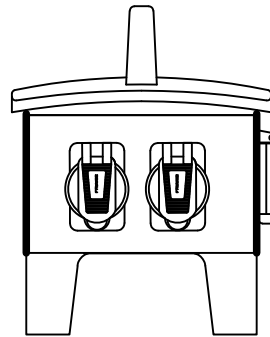
INPUT:
60A IEC 3P+N+G
120/250V

OUTPUT:

- (3) 20A DUPLEX GFCI

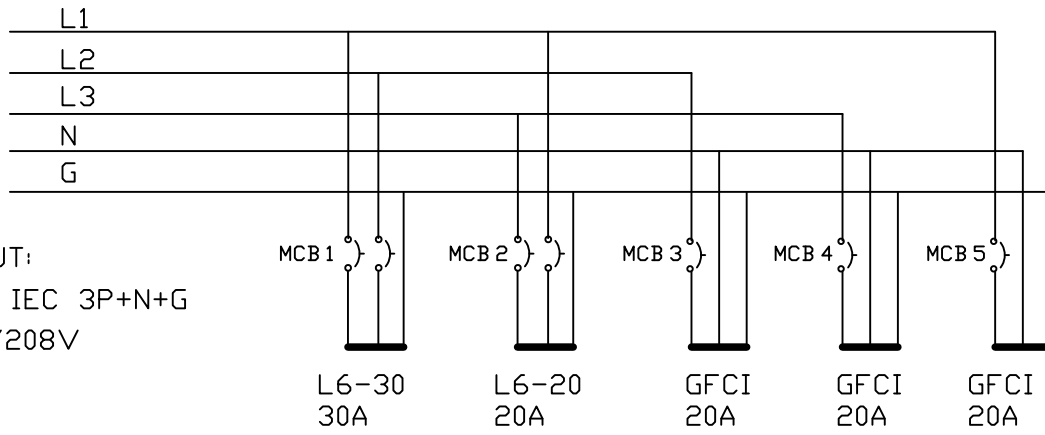


RIGHT



LEFT

OUTPUT:
(1) 30A L6-30R
(1) 20A L6-20R



INPUT:
60A IEC 3P+N+G
120/208V

WALTHER ELECTRIC

NAME: 649106I3501

THIS DRAWING IS THE PROPERTY OF
WALTHER ELECTRIC CORP. AND MUST NOT
BE MADE PUBLIC OR COPIED. ALL RIGHTS
OF DESIGN AND/OR INVENTION ARE
RESERVED.

SIZE	DRAW BY: JC	DWG NO.	REV
SCALE	DATE: 1-18-2018	SHEET	

