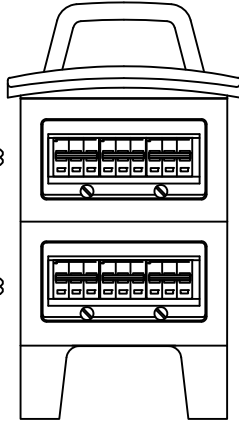




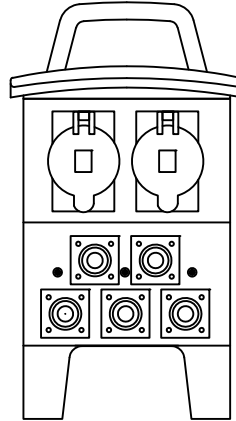
REVISIONS

ZONE	REV	DESCRIPTION	DATE	APPROVED
------	-----	-------------	------	----------

PROTECTION:
(3) 50A 3 POLE, MCB



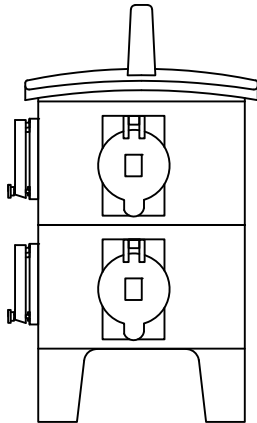
(3) 50A 3 POLE, MCB



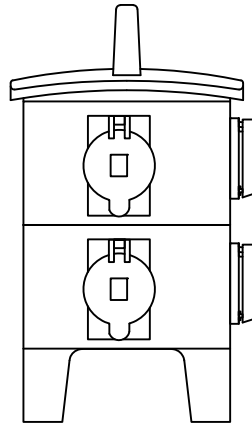
OUTPUT:
(2) CS8369
W/W. COVERS

INPUT:
(5) E16 CAMLOKS
3P+N+G 120/208V

OUTPUT:
(1) CS8369
W/W. COVER



(1) CS8369
W/W. COVER

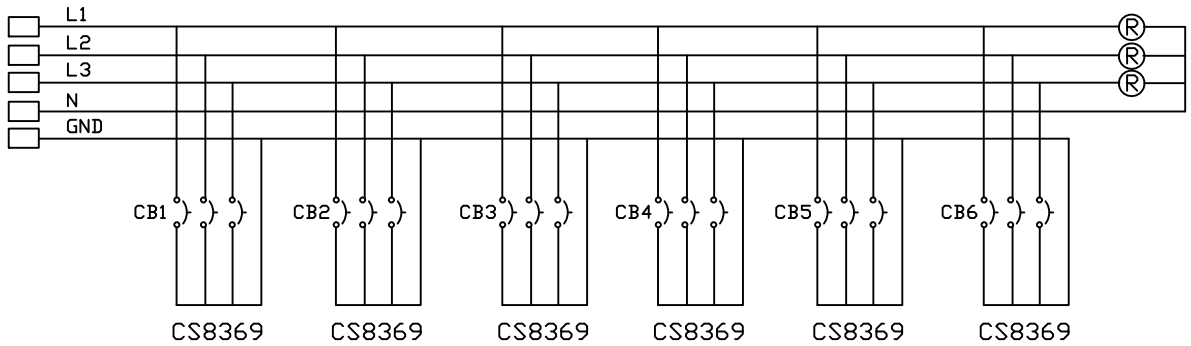


OUTPUT:
(1) CS8369
W/W. COVER

(1) CS8369
W/W. COVER

INPUT:
(5) E16 CAMLOKS
3P+N+G 120/208V

POWER INDICATORS



WALTHER ELECTRIC

NAME: 649230C34

THIS DRAWING IS THE PROPERTY OF
WALTHER ELECTRIC CORP. AND MUST NOT
BE MADE PUBLIC OR COPIED. ALL RIGHTS
OF DESIGN AND/OR INVENTION ARE
RESERVED.

SIZE	DRAW BY: JC	DWG NO.	REV
SCALE	DATE: 7-24-2017	SHEET	

