

PRODUCT DATA SHEET

Part Number	679406
EAN	4015609025329
Manufacturer	Walther-Werke
WEEE-Reg-Nr	DE 22131895

125A 4P 400V 6H IP67 IEC Inlet

- High Impact Thermoplastic featuring high resistance And toughness creating an abrasion-resistant material
- Retaining Device
- Gasket
- Zinc electroplated Steel Screws
- Color Coded by voltage
- Double terminal screws on all amperage devices
- Ground first to mate – last to break for added safety
- Finger-safe in accordance with BGV A3 soft transition radius from flange to collar
- Walther can custom design configurations that meet your application requirements.
- Walther can produce and supply the mating cable assemblies.



Ordering/Logistics Information

Order Unit	Piece
Net Weight	2.01 lbs or 0.91 kg
Packing Quantity (VPE)	2
Packaging Length	12.21 in or 0.31 m
Packaging Width	7.68 in or 0.195 m
Packaging Depth	5.52 in or 0.14 m
Gross Weight (VPE)	4.34 lbs or 1.968 kg

Certification

VDE/ENEC certification	134191
UL certification	E83342
And multiple international certifications	

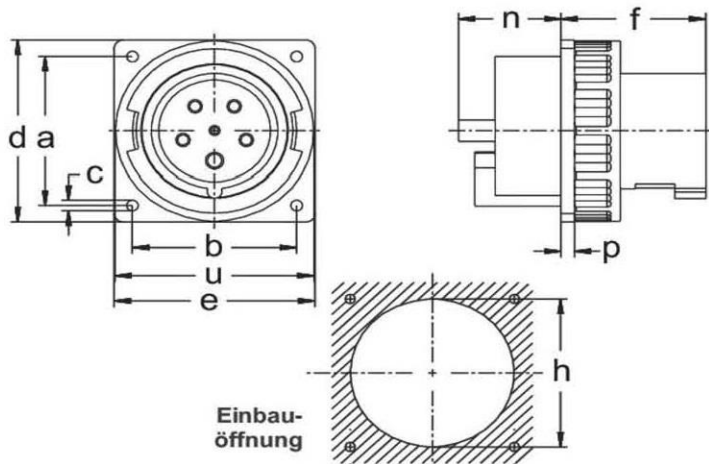


Classification system

Classification system	ETIM_6.0
ETIM Class	EC001319

Technical Product Data

IEC-amperage	125A
Amperage acc. UL/CSA	100A
Number of poles	4 = 3P + G
Voltage acc. EN 60309-2	400 V / (50-60HZ)
Clock hour position	6 h
Identification color	Red
RAL-number	3000
Degree of protection (IP)	IP67
Connection system	Screwed terminal
Maximum torque terminal screw	4 Nm
Angle of receptacle	Straight
Material	Plastic
Flange size vertical	5.11 in or 130 mm
Drill hole distance vertical	4.09 in or 104 mm
Flange size horizontal	5.11 in or 130 mm
Drill hole distance horizontal	4.09 in or 104 mm



Amp.	125		
Pole	3	4	5
a	104	104	104
b	104	104	104
c	6,5	6,5	6,5
d	130	130	130
e	130	130	130
f	93	93	93
h	90	90	90
n	56	56	56
p	7,5	7,5	7,5
u	130	130	130

All specifications are subject to change without notice. Consult a Walther Electric Engineer for the latest specifications or speak with a member of our Customer Care Team +1 (800) 925-8437.