

PRODUCT DATA SHEET

Part Number	119306
EAN	4015609010165
Manufacturer	Walther-Werke
WEEE-Reg-Nr	DE 22131895

16A 3P 230V 6H IP67 IEC Wall mount Receptacle

- High Impact Thermoplastic featuring high resistance and toughness creating an abrasion-resistant material.
- Two knock-out cable entries both on top and bottom and one Knock-out floor entry
- Zinc electroplated Steel Screws
- Screwed terminal connection system
- Color Coded
- Finger-safe in accordance with BGV A3 soft transition radius from flange to collar
- Walther can custom design configurations that meet your application requirements.
- Walther can produce and supply the mating cable assemblies.



Ordering/Logistics Information

Order Unit	Piece
Net Weight	0.88 lbs. or 0.397 kg
Packing Quantity (VPE)	5
Packaging Length	12.21 in or 0.31 m
Packaging Width	10.04 in or 0.255 m
Packaging Depth	5.91 in or 0.15 m
Gross Weight (VPE)	4.80 lbs. or 2.181 kg

Certification

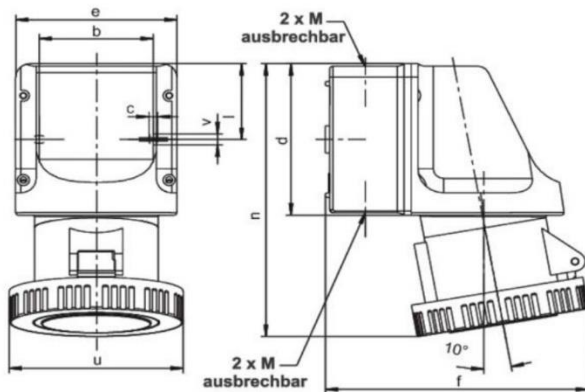
VDE/ENEC certification	123017
EAC certification	BY112.02.01.020 06089
And multiple international certifications	

Classification system

Classification system	ETIM_6.0
ETIM Class	EC001321

Technical Product Data

Model	Surface mounted (plaster)
IEC Amperage	16A
Amperage acc. UL/CSA	20A
Number of poles and wires	3= 2P + G
Voltage acc. EN 60309-2	230 V / (50-60HZ) red
Clock hour position	6 h
Identification color	Blue
RAL-number	5002
Degree of protection (IP)	IP67
Maximum torque terminal screw	0.8 NM
Connection system	Screwed terminal
Material	Plastic
Type of fastening	Inner lying mounting



Amp.	16			32		
	3	4	5	3	4	5
b	66,5	66,5	66,5	66,5	66,5	66,5
c	5	5	5	5	5	5
d	96	96	96	96	96	96
e	95	95	95	95	95	95
f	140	144	147	156	156	156
l	47,5	47,5	47,5	47,5	47,5	47,5
n	164	164	164	176	176	176
u	72	81	88	96	96	103
v	7	7	7	7	7	7
M	20/25	20/25	20/25	20/25	20/25	20/25

All specifications are subject to change without notice. Consult a Walther Electric Engineer for the latest specifications or speak with a member of our Customer Care Team +1 (800) 925-8437.